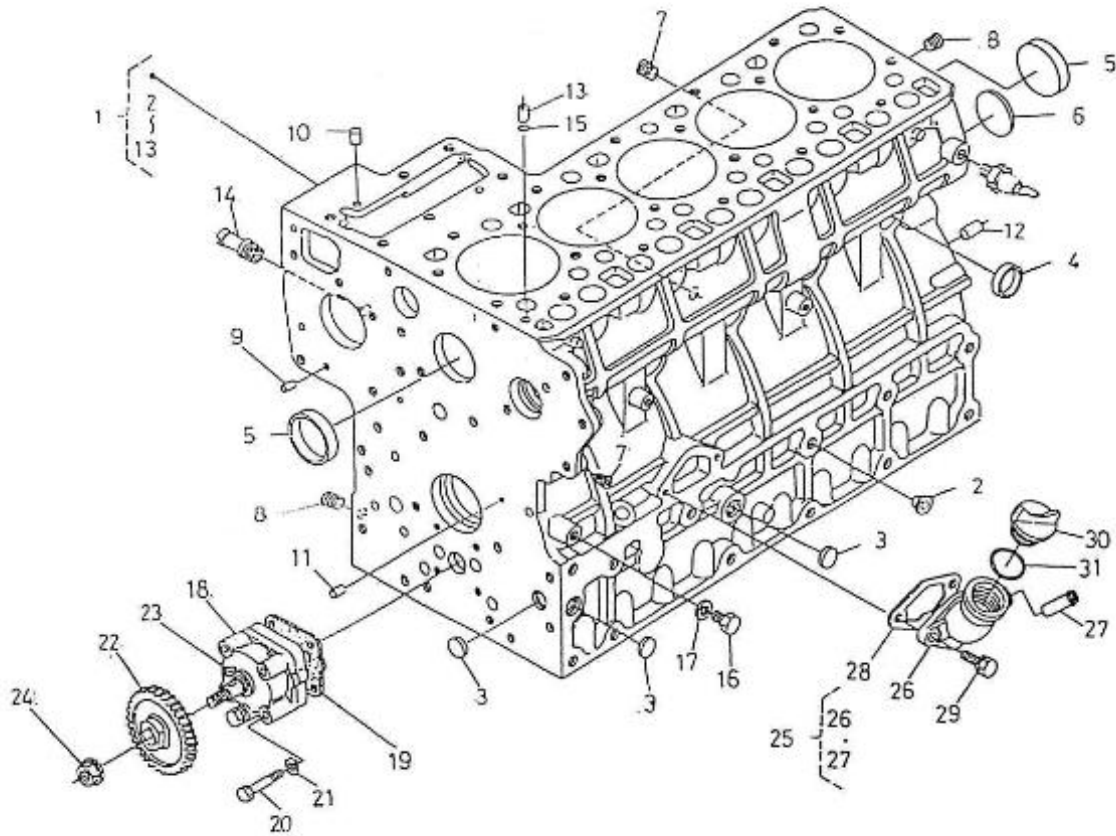


Filtre(s) :

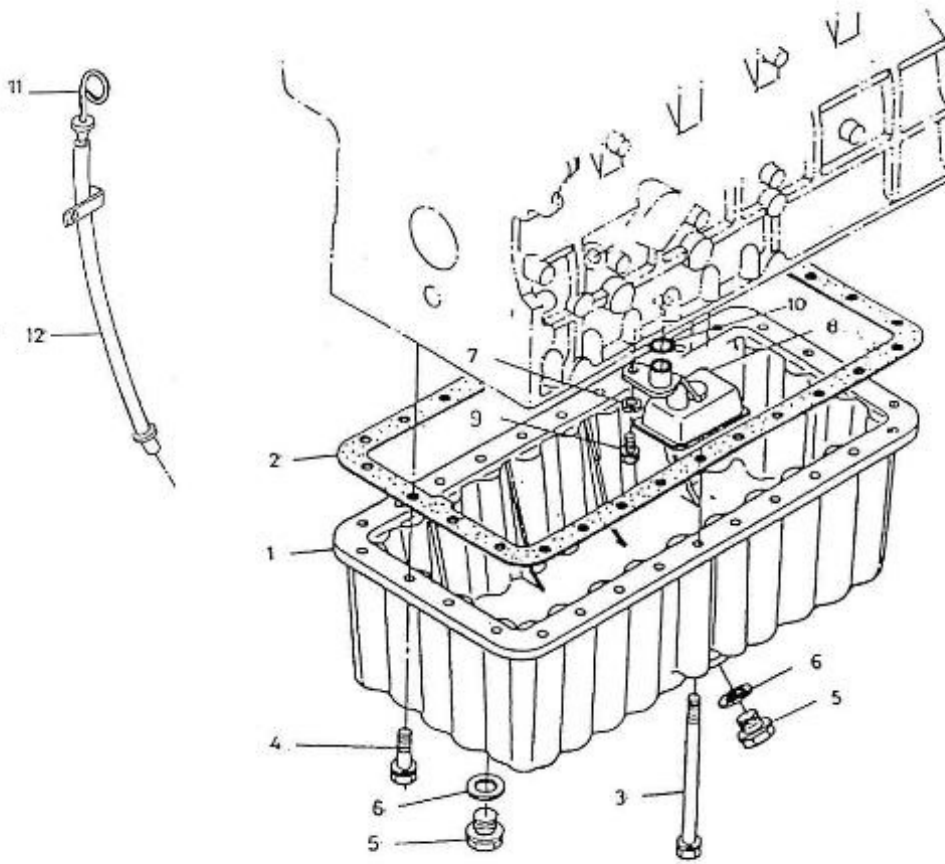
- type: 5.250TDI STANDARD ENGINE

5.250TDI STANDARD ENGINE / ENGINE BLOCK



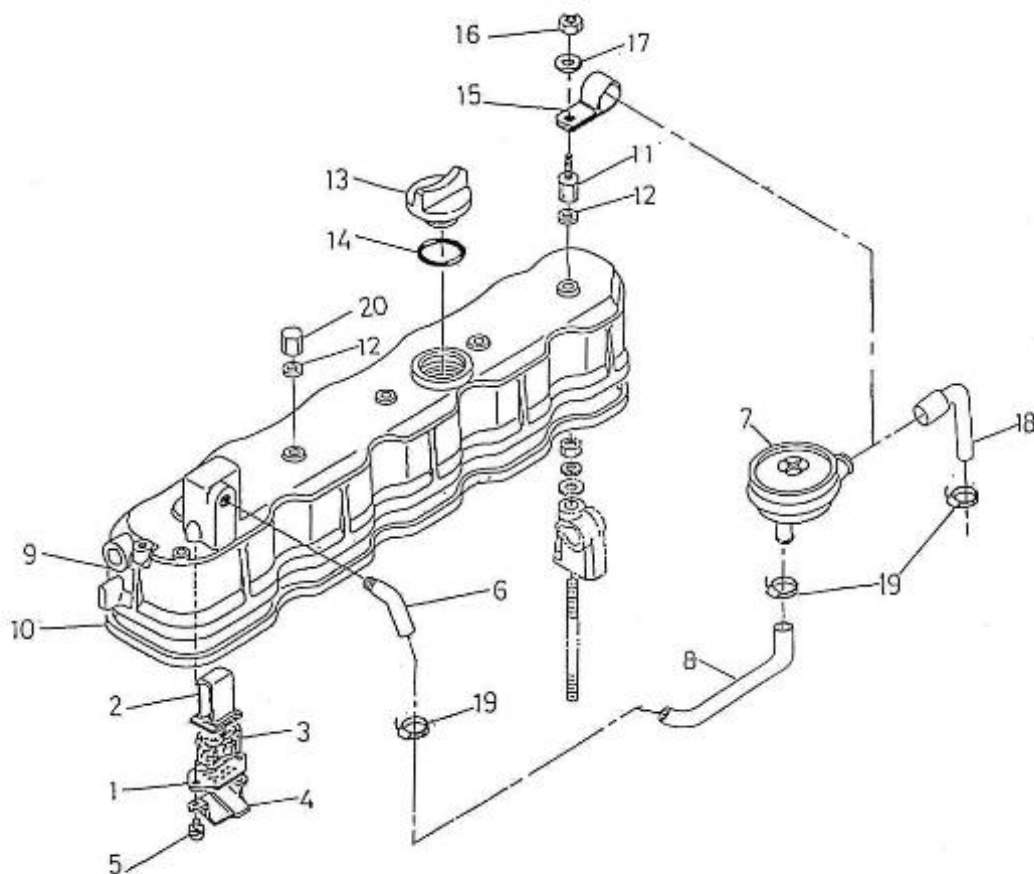
| Part number | Item | Désignation article | Quantity |
|-------------|------|---------------------|----------|
| 970301902 | 2 | PLUG | 3 |
| 970301903 | 3 | PLUG | 3 |
| 970301905 | 4 | CAP,SEALING | 8 |
| 970301906 | 5 | CAP,FREEZE | 2 |
| 970301904 | 6 | PLUG,EXPANSION | 1 |
| 970490108 | 7 | PLUG,SOCK | 7 |
| 970490109 | 8 | PLUG,SOCK | 2 |
| 970301907 | 9 | PIN,CYLINDRICAL | 2 |
| 970490122 | 10 | PIN,CYLINDRICAL | 2 |
| 970301908 | 11 | PIN,CYLINDRICAL | 2 |
| 970301909 | 12 | PIN,CYLINDRICAL | 1 |
| 970490112 | 13 | PIN,PIPE | 1 |
| 970302119 | 14 | PIPE,WATER RETURN 1 | 1 |
| 970490116 | 15 | O-RING | 1 |
| 970301912 | 16 | PLUG | 1 |
| 970491131 | 17 | WASHER,SEAL | 1 |
| 970307901 | 18 | PUMP,OIL CPL. | 1 |
| 970301914 | 19 | GASKET,OIL PUMP | 1 |
| 970302926 | 20 | BOLT,M 6X 48 | 4 |
| 970310417 | 21 | WASHER,SPRING | 4 |
| 970307902 | 22 | GEAR,OIL PUMP DRIVE | 1 |
| 970493118 | 23 | KEY,FEATHER H-HE | 1 |
| 970301916 | 24 | NUT | 1 |
| 970310419 | 26 | FLANGE | 1 |
| 970307535 | 27 | HOSE | 1 |
| 970310420 | 28 | GASKET NA | 1 |
| 970492138 | 29 | BOLT,M 8X 22 | 2 |
| 970490510 | 30 | CAP,FILLING OIL | 1 |
| 970490511 | 31 | O-RING | 1 |

5.250TDI STANDARD ENGINE / OIL SUMP - OIL PUMP



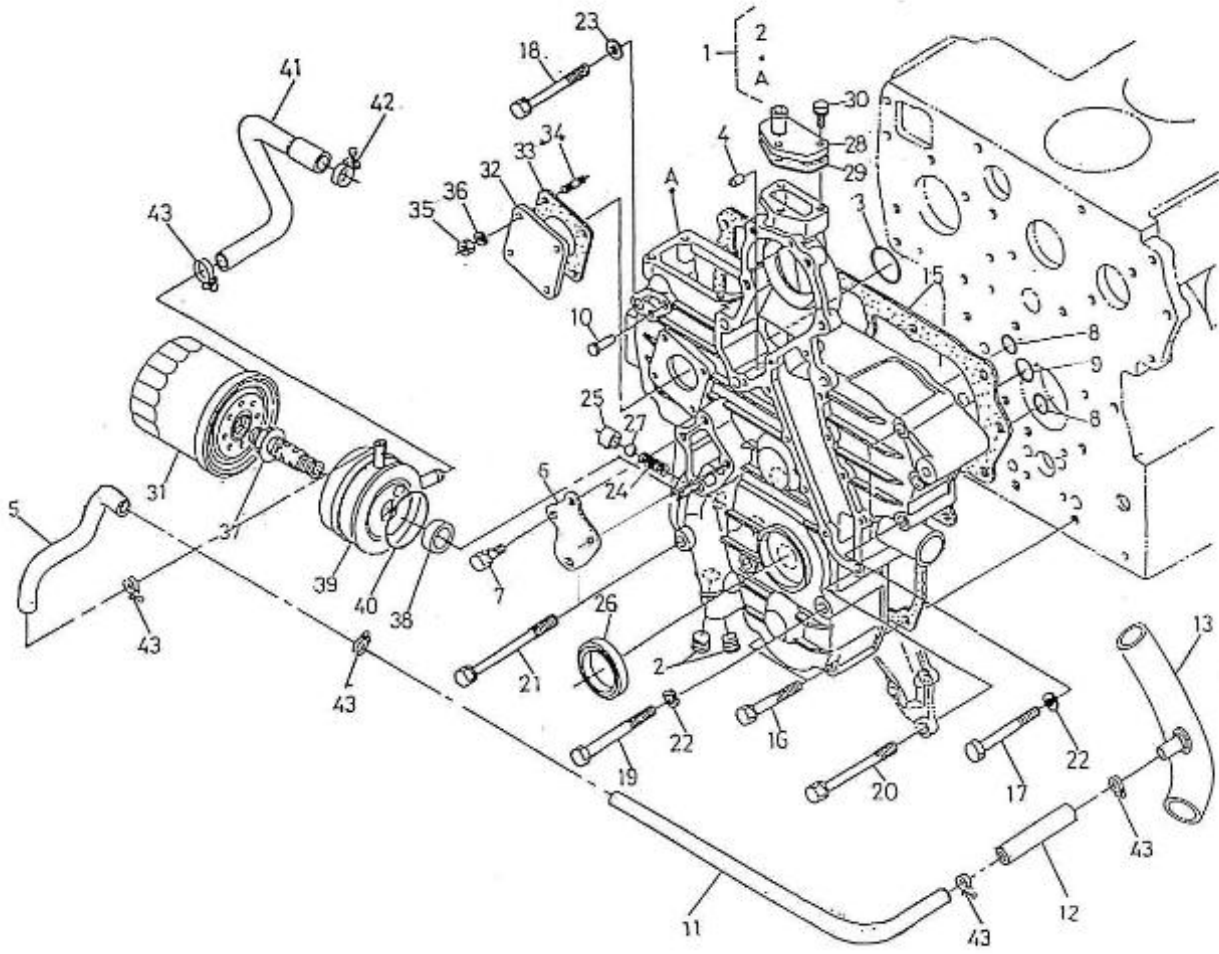
| Part number | Item | Désignation article | Quantity |
|-------------|------|-------------------------|----------|
| 970307903 | 1 | PAN,OIL | 1 |
| 970307904 | 2 | GASKET,OIL PAN NA | 1 |
| 970307905 | 3 | BOLT | 2 |
| 970307906 | 4 | BOLT | 26 |
| 970307907 | 5 | PLUG,DRAIN | 2 |
| 970307489 | 6 | GASKET | 2 |
| 970490904 | 7 | WASHER,SPRING D 8 | 1 |
| 970307908 | 8 | FILTER,OIL 1 | 1 |
| 970313311 | 9 | BOLT | 1 |
| 970307909 | 10 | O RING | 1 |
| 970310299 | 11 | DIPSTICK | 1 |
| 970310298 | 12 | GUIDE,TUBE OIL DIPSTICK | 1 |

5.250TDI STANDARD ENGINE / CYLINDER HEAD COVER



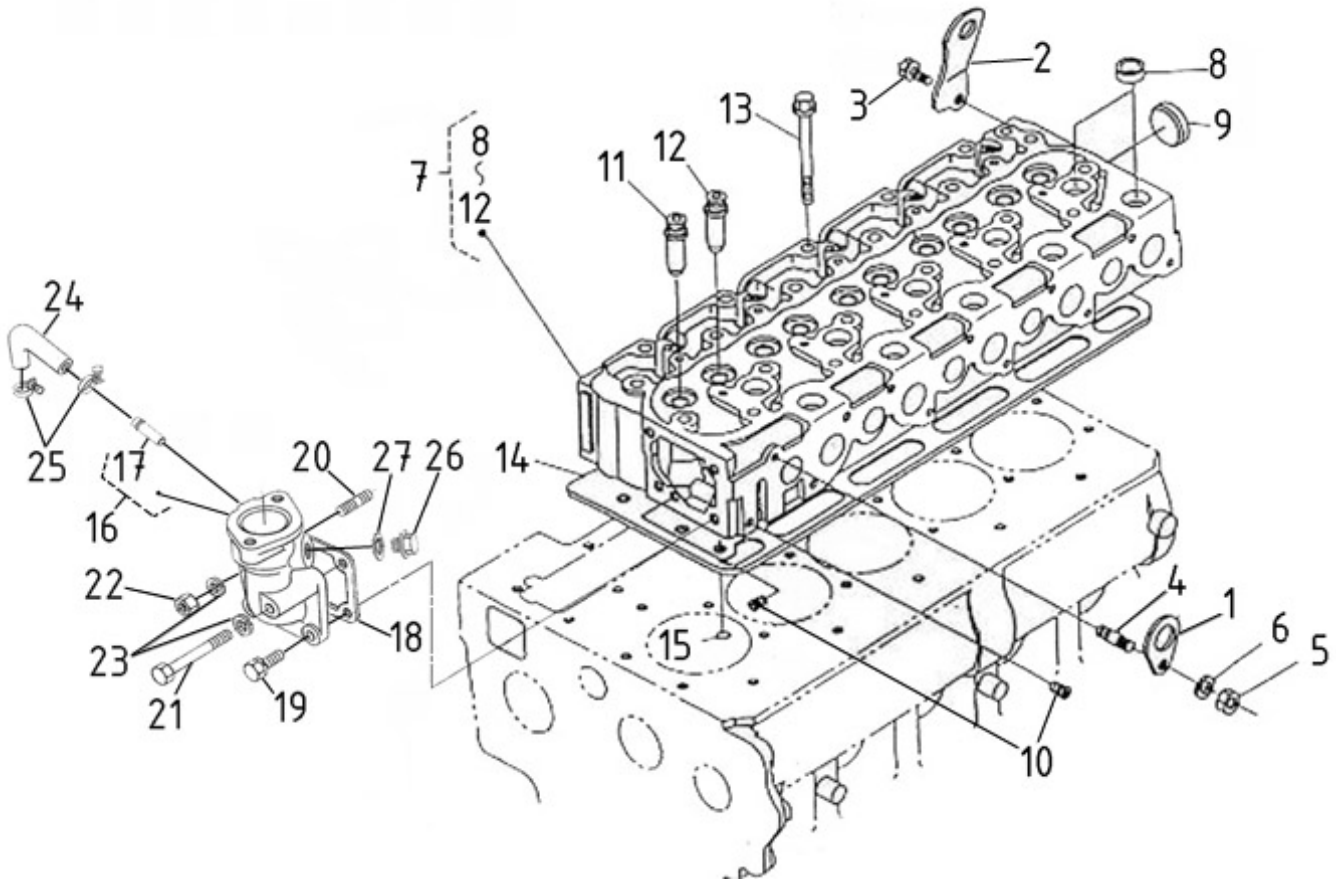
| Part number | Item | Désignation article | Quantity |
|---------------|------|----------------------------|----------|
| 970301990 | 1 | PLATE,BREATHER ELEMENT N01 | 1 |
| 970490302 | 2 | HOUSING,BREATHER ELEMENT | 1 |
| 970490305 | 3 | FILTER,BREATHER ELEMENT | 1 |
| 970301991 | 4 | SHIELD,OIL BREATHER | 1 |
| 970310423 | 5 | SCREW,WITH WASHER | 2 |
| 970301993 | 6 | PIPE,BREATHER | 1 |
| 51.01804-0008 | 7 | PRESSURE REGULATING VALVE | 1 |
| 48328070 | 8 | HOSE | 1 |
| 970307916 | 9 | COVER,HEAD | 1 |
| 970307917 | 10 | GASKET,HEAD COVER | 1 |
| 43320274 | 11 | SPACER | 1 |
| 970491131 | 12 | WASHER,SEAL | 5 |
| 970490510 | 13 | CAP,FILLING OIL | 1 |
| 970490511 | 14 | O-RING | 1 |
| 970304071 | 15 | CLAMP | 1 |
| 970635460 | 16 | NUT,M 6 | 1 |
| 970635459 | 17 | WASHER,PLAIN D 6 | 1 |
| 48328069 | 18 | HOSE | 1 |
| 970301604 | 19 | CLAMP,HOSE 15-24 | 3 |
| 970301996 | 20 | NUT,CAP | 4 |

5.250TDI STANDARD ENGINE / TIMING GEAR CASE



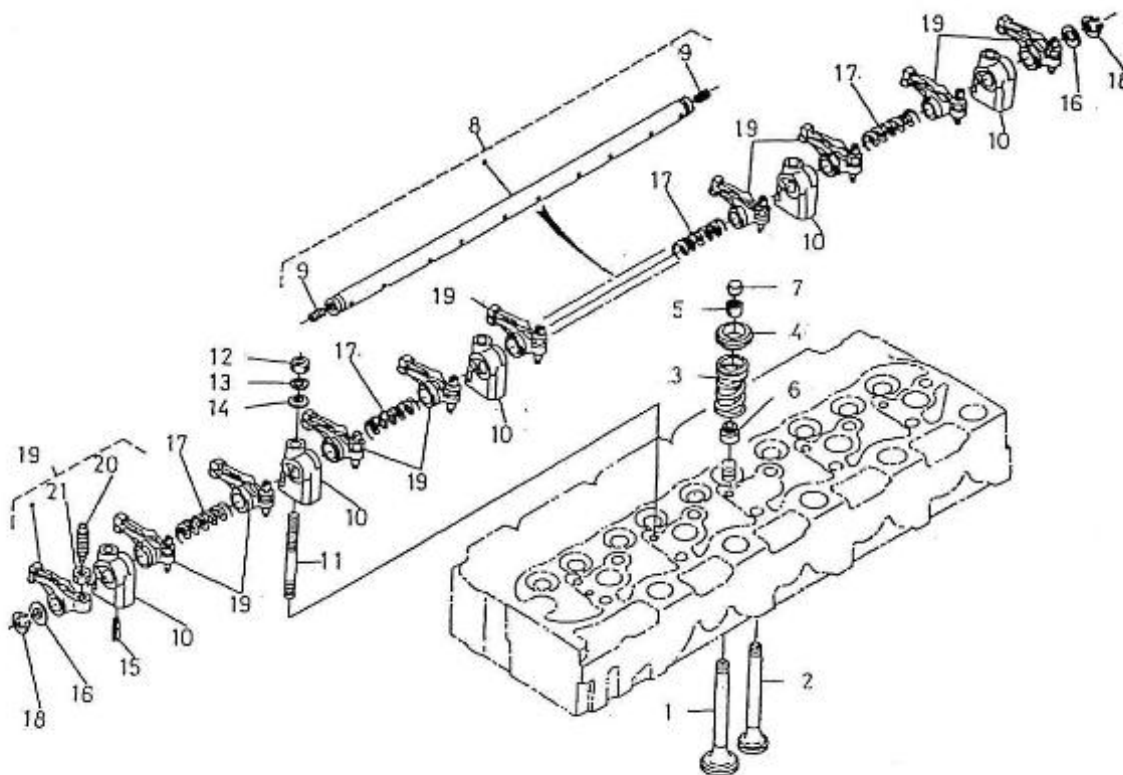
| Part number | Item | Désignation article | Quantity |
|-------------|------|-----------------------------|----------|
| 970310533 | 1 | COVER,TIMING CASE | 1 |
| 970301923 | 3 | O-RING | 1 |
| 970301908 | 4 | PIN,CYLINDRICAL | 2 |
| 906200106 | 5 | HOSE | 1 |
| 95203039 | 6 | CAP, FREEZE | 1 |
| 970147402 | 7 | BOLT,M 8X 25 | 3 |
| 970301922 | 8 | O-RING | 2 |
| 970302696 | 9 | O-RING | 1 |
| 970490204 | 10 | PIN,TIMING COVER | 1 |
| 51410027 | 11 | PIPE | 1 |
| 970310281 | 13 | HOSE | 1 |
| 970310535 | 15 | GASKET,GEAR CASE NA | 1 |
| 970301926 | 16 | BOLT,M 8X 60 | 3 |
| 970301927 | 17 | BOLT,M 8X 70 | 3 |
| 970310536 | 18 | BOLT | 2 |
| 970301928 | 19 | BOLT,M 8X 80 | 2 |
| 970310929 | 20 | COVER,OIL FILTER | 3 |
| 970310537 | 21 | BOLT | 2 |
| 970490904 | 22 | WASHER,SPRING D 8 | 5 |
| 970301933 | 23 | WASHER,PLAIN D 8 | 1 |
| 970310538 | 24 | SPRING | 1 |
| 970302075 | 25 | SEAT,VALVE | 1 |
| 970310539 | 26 | SEAL,OIL | 1 |
| 970302076 | 27 | BEARING,BALL | 1 |
| 970301931 | 28 | FLANGE,WATER RETURN | 1 |
| 970301932 | 29 | GASKET,FLANGE W/RETURN | 1 |
| 970491536 | 30 | BOLT,M 6X 20 | 3 |
| 970603003 | 31 | FILTER,ELEMENT OIL 4.180/90 | 1 |
| 970490222 | 32 | COVER,INJ.TIMING | 1 |
| 970491736 | 33 | GASKET | 1 |
| 970490224 | 34 | STUD | 4 |
| 970151133 | 35 | NUT,M 6 | 4 |
| 970310541 | 37 | CONNECTOR | 1 |
| 970310542 | 38 | COLLAR | 1 |
| 970310543 | 39 | ASSY COOLER,OIL | 1 |
| 970310544 | 40 | O RING | 1 |
| 970310545 | 41 | PIPE,OIL COOLER 1 | 1 |
| 970302121 | 42 | CLAMP,HOSE | 1 |
| 970439306 | 43 | CLAMP | 4 |

5.250TDI STANDARD ENGINE / CYLINDER HEAD



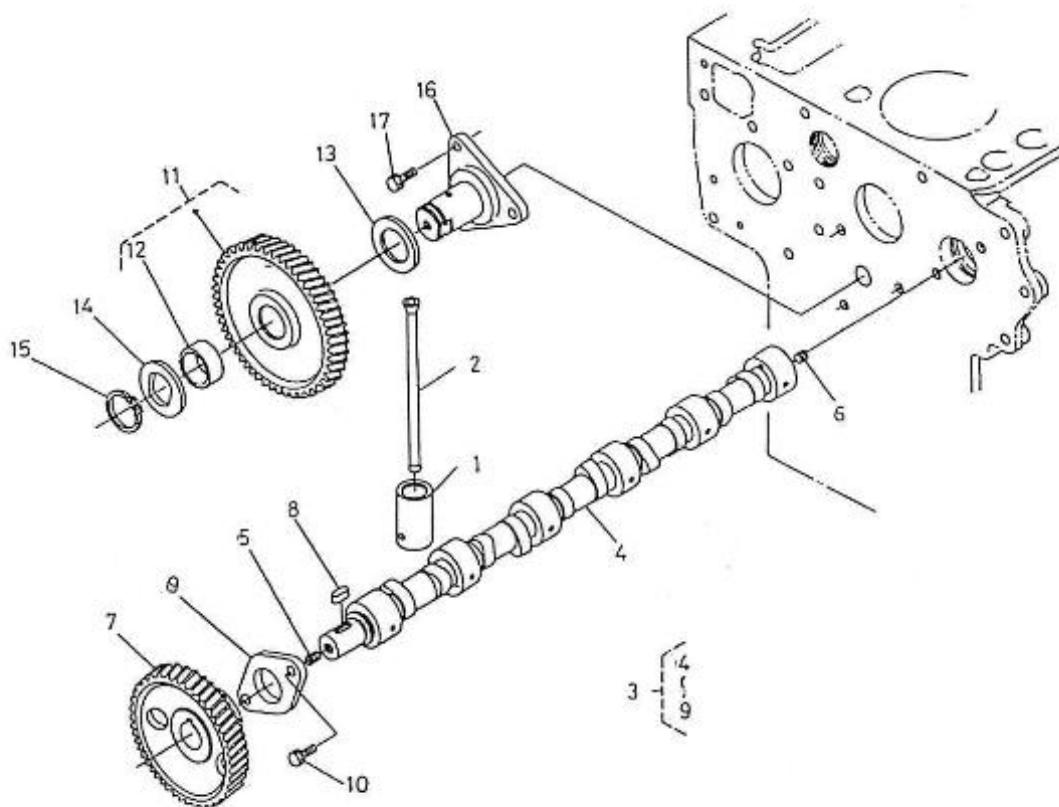
| Part number | Item | Désignation article | Quantity |
|-------------|------|-----------------------------|----------|
| 970490901 | 1 | HOOK,ENGINE 2.60-3.90-4.110 | 1 |
| 970307296 | 2 | HOOK,ENGINE | 1 |
| 970490919 | 3 | BOLT,M 8X 16 | 1 |
| 970301935 | 4 | STUD | 1 |
| 970490903 | 5 | NUT,M 8 | 1 |
| 970490904 | 6 | WASHER,SPRING D 8 | 1 |
| 970310421 | 7 | COMP.HEAD,CYLINDER | 1 |
| 970301937 | 8 | CAP,FREEZE | 15 |
| 970301938 | 9 | CAP,FREEZE | 1 |
| 970490107 | 10 | PLUG,SOCK | 2 |
| 970301939 | 11 | GUIDE,VALVE INTAKE 4.190 | 5 |
| 970301940 | 12 | GUIDE,VALVE EXHAUST | 5 |
| 970307298 | 13 | BOLT,CYLINDER HEAD | 22 |
| 970310422 | 14 | GASKET,CYL.HEAD | 1 |
| 970490116 | 15 | O-RING | 1 |
| 970310483 | 16 | COMP.FLANGE,WATER | 1 |
| 970307535 | 17 | HOSE | 1 |
| 970302124 | 18 | GASKET,WATER FLANGE | 1 |
| 970492138 | 19 | BOLT,M 8X 22 | 2 |
| 970302088 | 20 | STUD,M 8X 22 | 1 |
| 970301927 | 21 | BOLT,M 8X 70 | 1 |
| 970490903 | 22 | NUT,M 8 | 1 |
| 970490904 | 23 | WASHER,SPRING D 8 | 2 |
| 970302120 | 24 | PIPE,WATER RETURN 2 | 1 |
| 970302121 | 25 | CLAMP,HOSE | 2 |

5.250TDI STANDARD ENGINE / VALVES AND SPRINGS



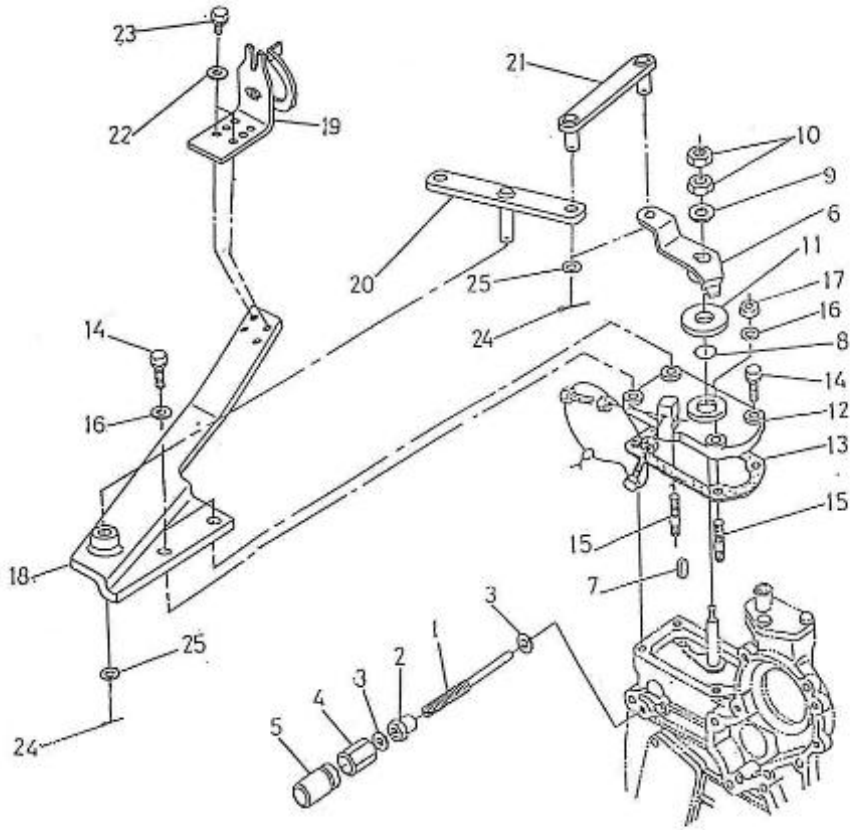
| Part number | Item | Désignation article | Quantity |
|-------------|------|-----------------------|----------|
| 970307772 | 1 | VALVE,INLET | 5 |
| 970310492 | 2 | VALVE,EXHAUST | 5 |
| 970302005 | 3 | SPRING,VALVE | 10 |
| 970302006 | 4 | RETAINER,VALVE SPRING | 10 |
| 970302007 | 5 | COLLET,VALVE SPRING | 10 |
| 970302008 | 6 | SEAL,VALVE STEM | 10 |
| 970302009 | 7 | CAP,VALVE | 10 |
| 970307774 | 8 | ROCKER ARM AXLE | 1 |
| 970313711 | 9 | SCREW,SET | 2 |
| 970302012 | 10 | BRACKET,ROCKER ARM | 5 |
| 970302013 | 11 | STUD | 5 |
| 970490903 | 12 | NUT,M 8 | 5 |
| 970490904 | 13 | WASHER,SPRING D 8 | 5 |
| 970301933 | 14 | WASHER,PLAIN D 8 | 5 |
| 970310494 | 15 | PIN,SPRING | 1 |
| 970302015 | 16 | WASHER | 2 |
| 970302016 | 17 | SPRING,ROCKER ARM | 4 |
| 970302017 | 18 | CIR-CLIP,EXTERNAL | 2 |
| 970307402 | 19 | ASSY ROCKER ARM | 10 |
| 970302019 | 20 | SCREW,ADJUSTING | 10 |
| 970302021 | 21 | NUT | 10 |

5.250TDI STANDARD ENGINE / CAMSHAFT



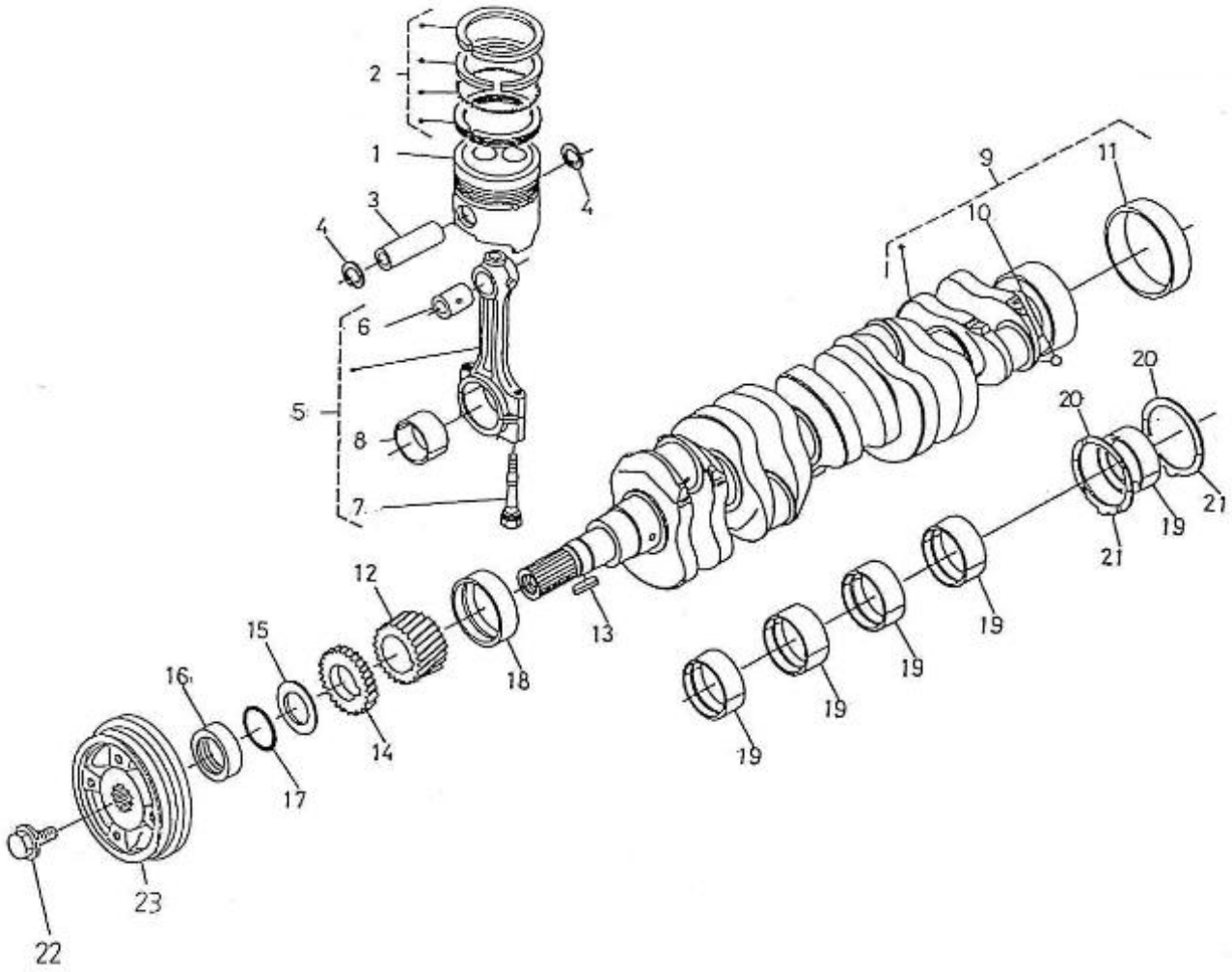
| Part number | Item | Désignation article | Quantity |
|-------------|------|---------------------|----------|
| 970307317 | 1 | TAPPET | 10 |
| 970307318 | 2 | ROD,PUSH | 10 |
| 970302043 | 5 | SCREW,SET | 1 |
| 970302975 | 6 | SCREW,SET | 1 |
| 970307924 | 7 | GEAR,CAMSHAFT | 1 |
| 970301966 | 8 | KEY,FEATHER | 1 |
| 970302045 | 9 | STOPPER,CAMSHAFT | 1 |
| 970491134 | 10 | BOLT,M 8X 18 | 2 |
| 970310435 | 11 | COMP.GEAR IDLE | 1 |
| 970307926 | 12 | BUSH,IDLE GEAR | 1 |
| 970307927 | 13 | COLLAR | 1 |
| 970307928 | 14 | COLLAR | 1 |
| 970307929 | 15 | CIR-CLIP,EXTERNAL | 1 |
| 970307930 | 16 | SHAFT,IDLE GEAR | 1 |
| 970491134 | 17 | BOLT,M 8X 18 | 3 |

5.250TDI STANDARD ENGINE / ACCELERATOR



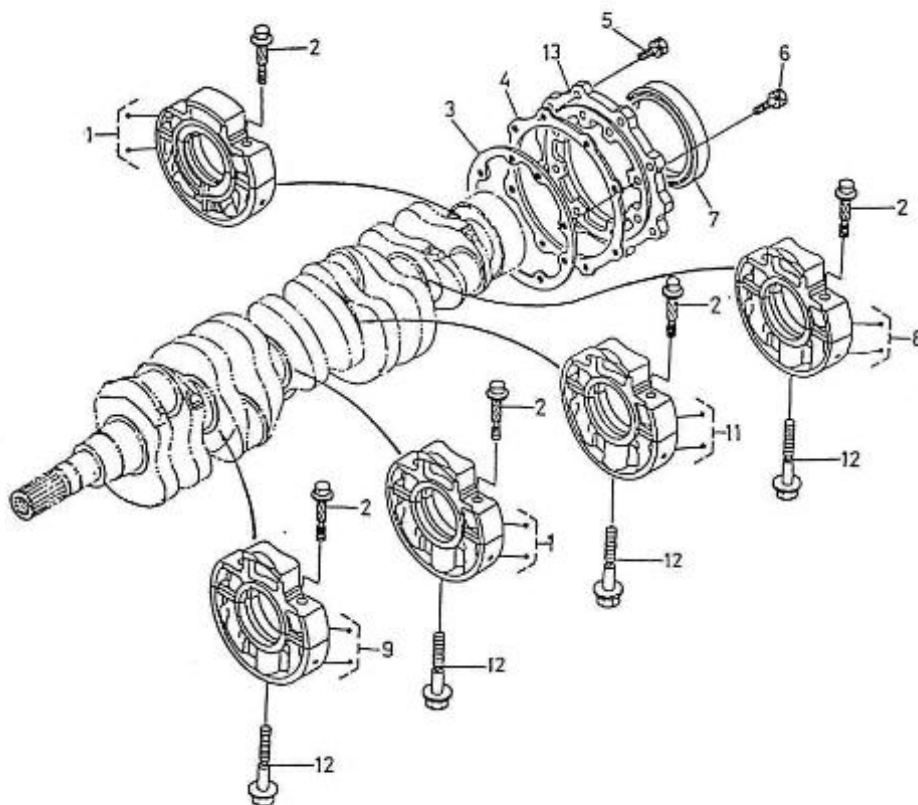
| Part number | Item | Désignation article | Quantity |
|-------------|------|----------------------------|----------|
| 970302022 | 1 | SCREW,ADJUSTING | 1 |
| 970140402 | 2 | NUT | 1 |
| 970150403 | 3 | RING,SEAL | 2 |
| 970140504 | 4 | NUT, CAP M8 | 1 |
| 970310464 | 5 | CAP | 1 |
| 970303912 | 6 | LEVER,SPEED CONTROL | 1 |
| 970143118 | 7 | KEY,FEATHER | 1 |
| 970302024 | 8 | O-RING | 1 |
| 970302025 | 9 | WASHER,PLAIN D 8 | 1 |
| 970302026 | 10 | NUT,M 8 | 21 |
| 970310465 | 11 | COLLAR | 1 |
| 970303913 | 12 | COVER,SPEED CONTROL 6.280 | 1 |
| 970302029 | 13 | GASKET,COVER SPEED CONTROL | 1 |
| 970491537 | 14 | BOLT,M 6X 25 | 2 |
| 970490224 | 15 | STUD | 2 |
| 970310417 | 16 | WASHER,SPRING | 2 |
| 970151133 | 17 | NUT,M 6 | 2 |
| 95203028A | 18 | BRACKET | 1 |
| QCC33008TF | 19 | SUPPORT FOR ONE 33C | 1 |
| 95203028A | 20 | BRACKET | 1 |
| 95203028A | 21 | BRACKET | 1 |
| 970300318 | 22 | WASHER,SPRING D 5 | 2 |
| 970300317 | 23 | BOLT,HEX M 5X 16 | 2 |
| 970300292 | 24 | PIN,COTTER 1,6X25 | 3 |
| 970635459 | 25 | WASHER,PLAIN D 6 | 3 |

5.250TDI STANDARD ENGINE / CRANKSHAFT-PISTONS



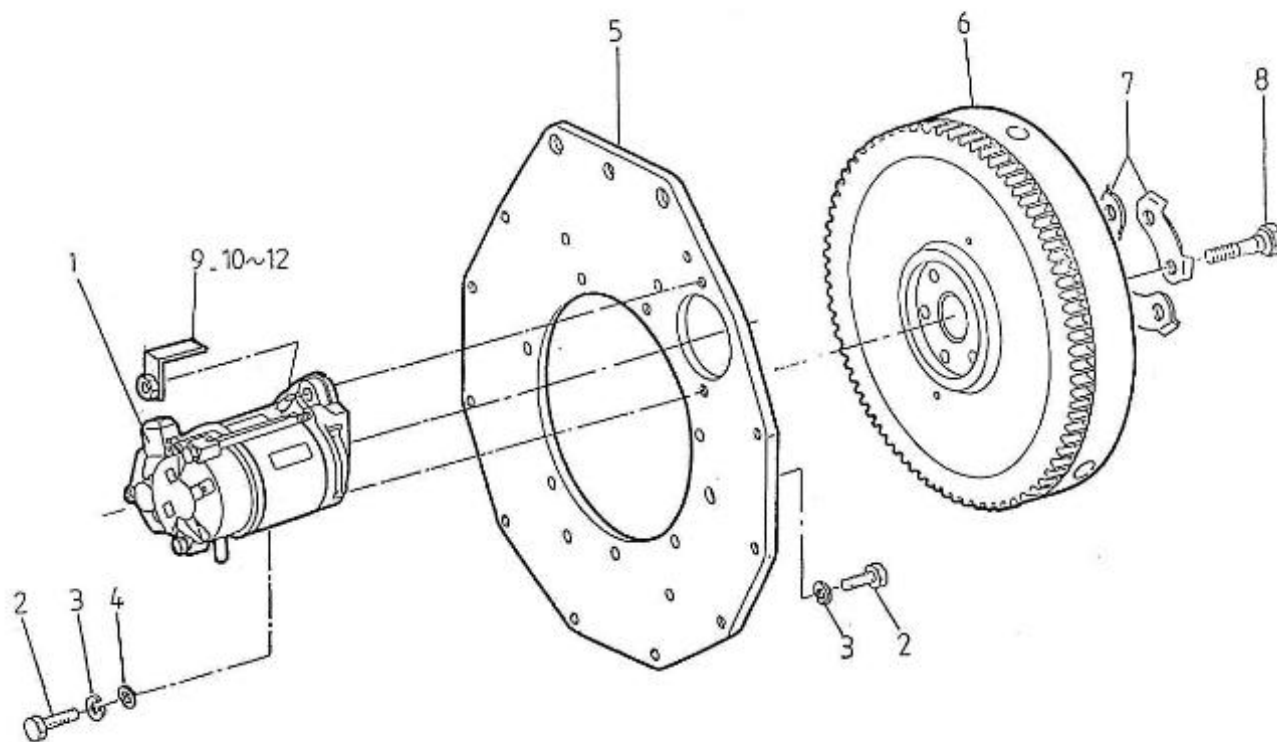
| Part number | Item | Désignation article | Quantity |
|-------------|------|-------------------------|----------|
| 970310436 | 1 | PISTON | 5 |
| 970310437 | 1 | PISTON 05 | 5 |
| 970310438 | 2 | ASSY PISTON RING | 5 |
| 970310439 | 2 | ASSY PISTON RING 05 | 5 |
| 970307331 | 3 | PIN,PISTON | 5 |
| 970307332 | 4 | CLIP,PISTON PIN | 10 |
| 970307333 | 5 | ASSY ROD,CONNECTING | 5 |
| 970307334 | 6 | BUSH,PISTON PIN | 5 |
| 970301934 | 7 | BOLT,CONN.ROD | 10 |
| 970307335 | 8 | METAL,CRANK PIN | 5 |
| 970307337 | 8 | METAL,CRANK PIN 04 | 5 |
| 970307336 | 8 | METAL,CRANK PIN 02 | 5 |
| 970310440 | 9 | COMP.CRANK SHAFT | 1 |
| 970302897 | 10 | BEARING,BALL | 5 |
| 970307933 | 11 | SLEEVE,CRANKSHAFT | 1 |
| 970302984 | 12 | GEAR,CRANKSHAFT | 1 |
| 970302985 | 13 | KEY,FEATHER | 1 |
| 970307934 | 14 | GEAR,OIL PUMP DRIVE | 1 |
| 970302987 | 15 | SLINGER,OIL | 1 |
| 970307936 | 16 | COLLAR,CRANK SHAFT | 1 |
| 970301969 | 17 | O-RING | 1 |
| 970307341 | 18 | METAL,C/SHAFT 1 04 | 1 |
| 970302406 | 18 | METAL,CRANKSHAFT 1 +0,2 | 1 |
| 970301972 | 18 | METAL,CRANKSHAFT 1 | 1 |
| 970307343 | 19 | METAL,C/SHAFT 2 02 | 5 |
| 970301973 | 19 | METAL,CRANKSHAFT 2 | 5 |
| 970307344 | 19 | METAL,C/SHAFT 2 04 | 5 |
| 970301974 | 20 | METAL,SIDE 1 | 2 |
| 970307345 | 20 | METAL,SIDE 1-02 | 2 |
| 970301975 | 21 | METAL,SIDE 2 | 2 |
| 970307938 | 21 | METAL,SIDE 2-04 | 2 |
| 970307937 | 21 | METAL,SIDE 2-02 | 2 |
| 970307770 | 22 | BOLT | 1 |
| 970307769 | 23 | PULLEY,FAN DRIVE | 1 |

5.250TDI STANDARD ENGINE / CRANKSHAFT-BEARINGS



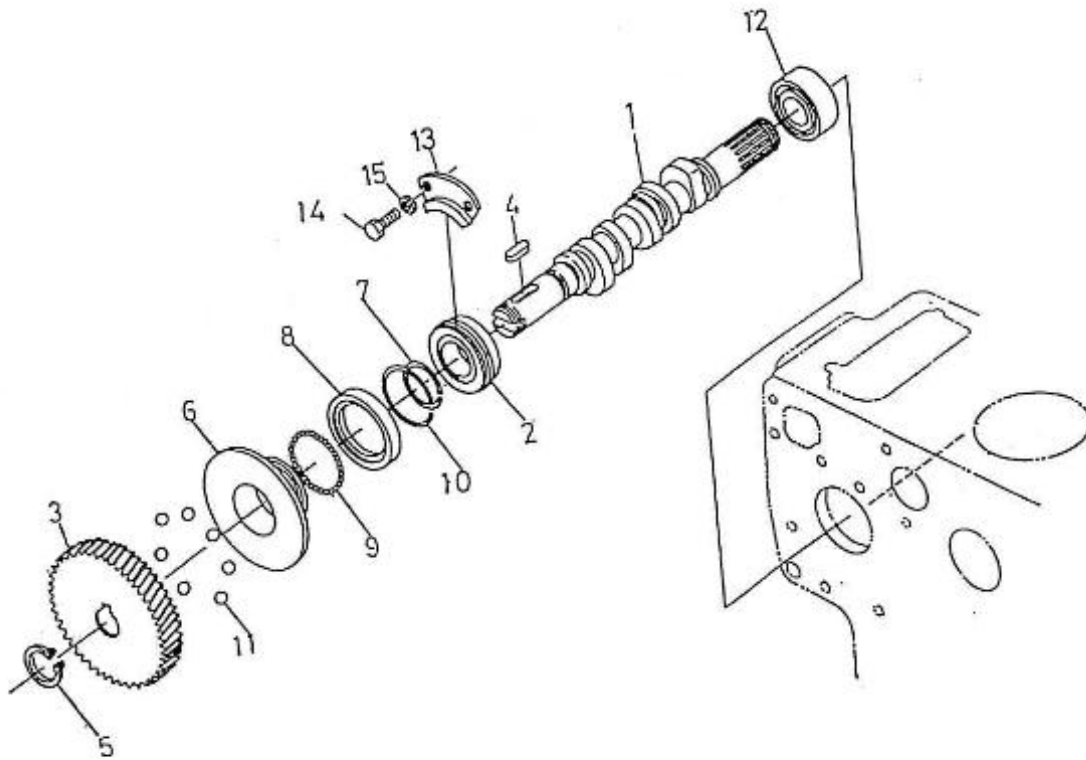
| Part number | Item | Désignation article | Quantity |
|-------------|------|----------------------|----------|
| 970310426 | 1 | F/ASSY CASE,MAIN BRG | 1 |
| 970307309 | 2 | BOLT,BEARING CASE | 10 |
| 970307310 | 3 | GASKET,BRG.CASE NA | 1 |
| 970310427 | 4 | GASKET NA | 1 |
| 970147402 | 5 | BOLT,M 8X 25 | 8 |
| 970301986 | 6 | BOLT,M 8X 28 | 8 |
| 970310428 | 7 | SEAL,OIL | 1 |
| 970310429 | 8 | ASSY CASE,MAIN BRG | 1 |
| 970310430 | 9 | ASSY CASE,MAIN BRG | 1 |
| 970310431 | 10 | ASSY CASE,MAIN BRG3 | 1 |
| 970310432 | 11 | ASSY CASE,MAIN BRG4 | 1 |
| 970307316 | 12 | BOLT,BEARING CASE | 4 |
| 970314277 | 13 | COVER,BEARING CASE | 1 |

5.250TDI STANDARD ENGINE / FLYWHEEL



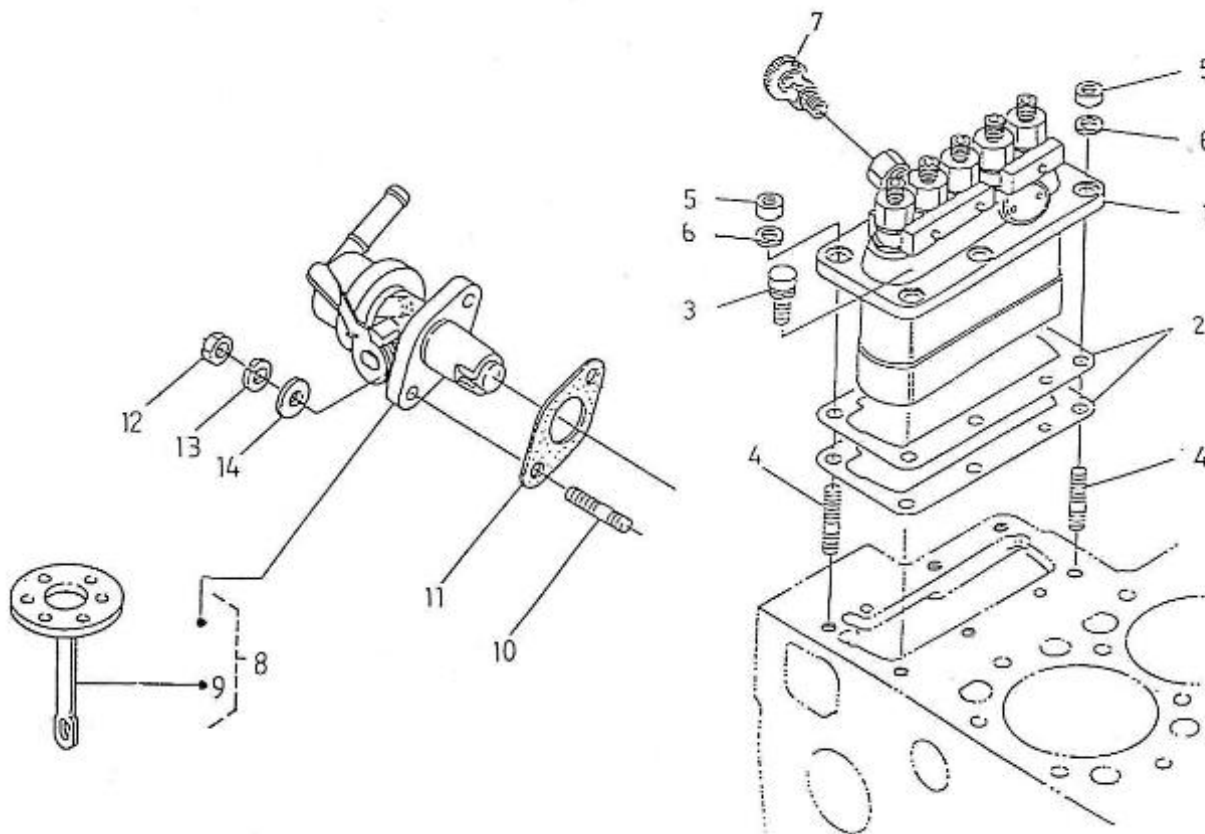
| Part number | Item | Désignation article | Quantity |
|-------------|------|-------------------------|----------|
| 970302070 | 1 | STARTER,MOTOR 12V 0,8KW | 1 |
| 970300044 | 2 | BOLT,HEX M10X1,25X 25 | 12 |
| 970119136 | 3 | WASHER,SPRING D10 | 13 |
| 970119135 | 4 | WASHER,PLAIN D10 | 2 |
| 970302643 | 5 | PLATE,REAR END 6.280 | 1 |
| 970304018 | 6 | FLYWEEL,CPL. 6.280 | 6 |
| 970302397 | 7 | WASHER,FLYWHEEL 3PCS. | 1 |
| 970302396 | 8 | BOLT,FLYWHEEL | 6 |
| 970307436 | 9 | NUT | 1 |
| 970119140 | 10 | BOLT,SOCK M10X 50 | 1 |
| 970119135 | 11 | WASHER,PLAIN D10 | 1 |
| 970119136 | 12 | WASHER,SPRING D10 | 1 |

5.250TDI STANDARD ENGINE / CAMSHAFT INJECTION PUMP



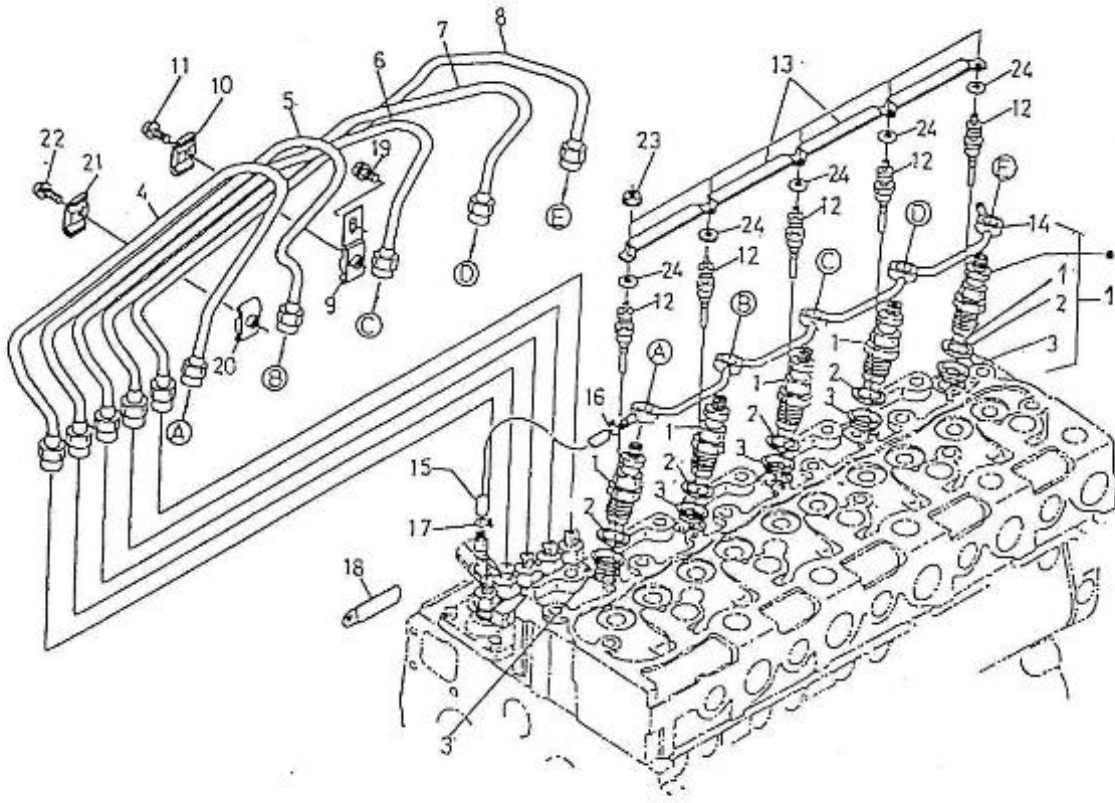
| Part number | Item | Désignation article | Quantity |
|-------------|------|-----------------------------|----------|
| 970307940 | 1 | CAMSHAFT,FUEL | 1 |
| 970312500 | 2 | BEARING, BALL | 1 |
| 970307351 | 3 | GEAR,INJECTION PUMP | 1 |
| 970312501 | 4 | KEY, FEATHER | 1 |
| 970302097 | 5 | CIR-CLIP,EXTERNAL | 1 |
| 970307352 | 6 | SLEEVE,GOVERNOR | 1 |
| 970302099 | 7 | CIR-CLIP,GOVERNOR SLEEVE | 1 |
| 970303929 | 8 | CASE,GOVERNOR BALL | 1 |
| 970492130 | 9 | BEARING,BALL FUEL CAMSHAFT | 39 |
| 970302100 | 10 | CIR-CLIP,GOVERNOR BALL CASE | 1 |
| 970303930 | 11 | BEARING,BALL | 7 |
| 970302105 | 12 | BEARING,CASE | 1 |
| 970302106 | 13 | STOPPER,FUEL CAMSHAFT | 1 |
| 970313311 | 14 | BOLT | 2 |
| 970313311 | 15 | BOLT | 2 |

5.250TDI STANDARD ENGINE / INJECTION AND FEED PUMP



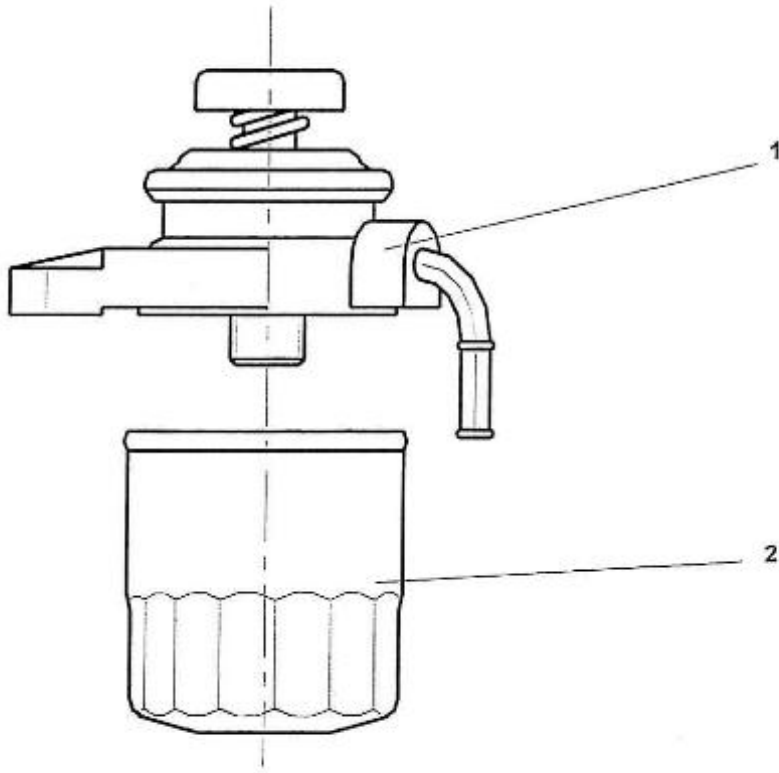
| Part number | Item | Désignation article | Quantity |
|-------------|------|---------------------|----------|
| 970307945 | 1 | ASSY PUMP,INJECTION | 1 |
| 970307946 | 2 | SHIM,INJ.PUMP 0.30 | 2 |
| 970492138 | 3 | BOLT,M 8X 22 | 3 |
| 970302088 | 4 | STUD,M 8X 22 | 2 |
| 970490903 | 5 | NUT,M 8 | 2 |
| 970490904 | 6 | WASHER,SPRING D 8 | 2 |
| 970307368 | 7 | ASSY COCK,JET START | 1 |
| 970307768 | 8 | ASSY PUMP,FUEL | 1 |
| 970307110 | 9 | COMP.DIAPHRAGM NA | 1 |
| 970492513 | 10 | STUD, M 6X 16 | 2 |
| 970492512 | 11 | GASKET,FUEL PUMP | 1 |
| 970151133 | 12 | NUT,M 6 | 2 |
| 970119149 | 13 | WASHER, SPRING D 6 | 2 |
| 970141326 | 14 | WASHER, PLAIN D6 | 2 |

5.250TDI STANDARD ENGINE / INJECTION NOZZLES AND PIPES



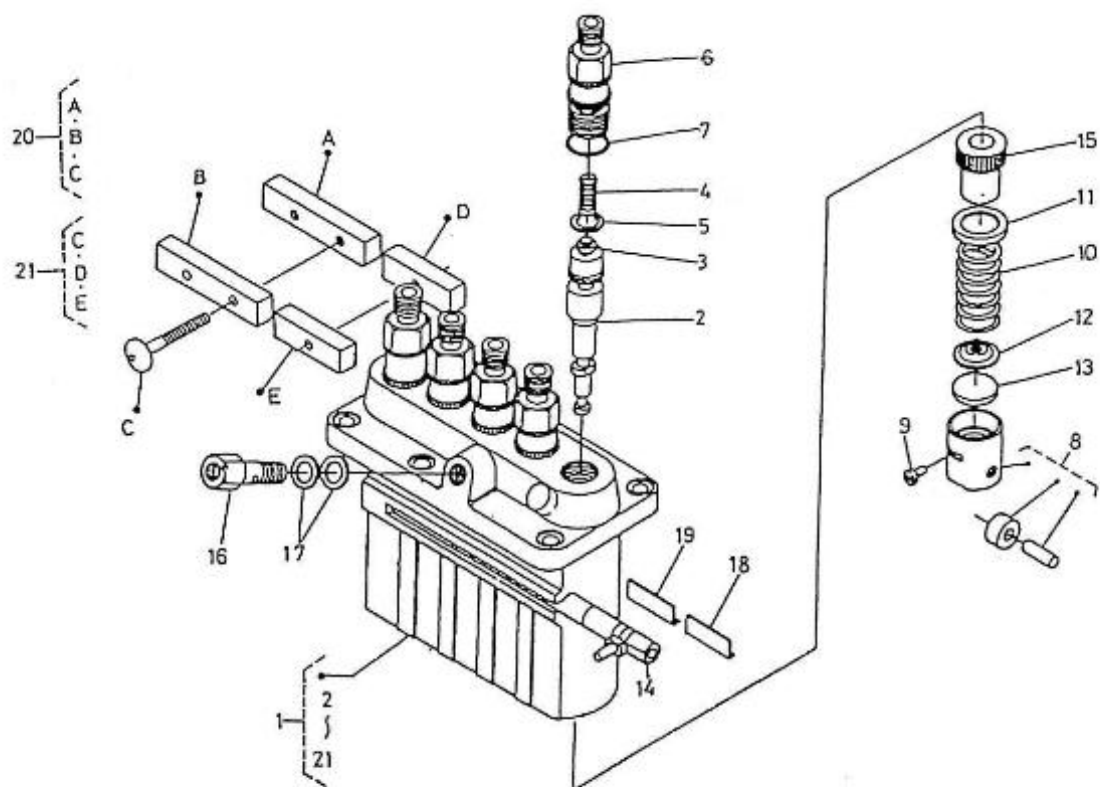
| Part number | Item | Désignation article | Quantity |
|-------------|------|--------------------------|----------|
| 970310467 | 1 | KIT,NOZZLE HOLDER | 5 |
| 970307766 | 1 | PIECE,NOZZLE | 5 |
| 970142109 | 2 | GHASKET, RING INJECTORS | 5 |
| 970307388 | 3 | SEAL,HEAT | 5 |
| 970310468 | 4 | PIPE,INJECTION 1 | 1 |
| 970310469 | 5 | PIPE,INJECTION 2 | 1 |
| 970310470 | 6 | PIPE,INJECTION 3 | 1 |
| 970310471 | 7 | PIPE,INJECTION 4 | 1 |
| 970310472 | 8 | PIPE,INJECTION 5 | 1 |
| 970310472 | 9 | PIPE,INJECTION 5 | 3 |
| 970142115 | 10 | CLAMP,FUEL-LINES 1+2 | 3 |
| 970492118 | 11 | SCREW,M 5X 20 ROUND HEAD | 3 |
| 970307393 | 12 | GLOW PLUG | 5 |
| 970310474 | 13 | CORD,GLOW PLUG | 1 |
| 970307759 | 14 | ASSY PIPE,OVER FLOW | 1 |
| 32805001 | 15 | HOSE | 1 |
| 970310171 | 16 | CLAMP | 1 |
| 970310171 | 17 | CLAMP | 1 |
| 970310476 | 18 | CLAMP,CORD | 1 |
| 970310477 | 19 | SCREW,WITH WASHER | 3 |
| 970142114 | 20 | CLAMP,FUEL LINES 1+2 | 5 |
| 970142115 | 21 | CLAMP,FUEL-LINES 1+2 | 5 |
| 970492118 | 22 | SCREW,M 5X 20 ROUND HEAD | 5 |
| 970307593 | 23 | NUT,FLANGE | 5 |
| 970307594 | 24 | WASHER,PLAIN | 5 |

5.250TDI STANDARD ENGINE / FUEL FILTER



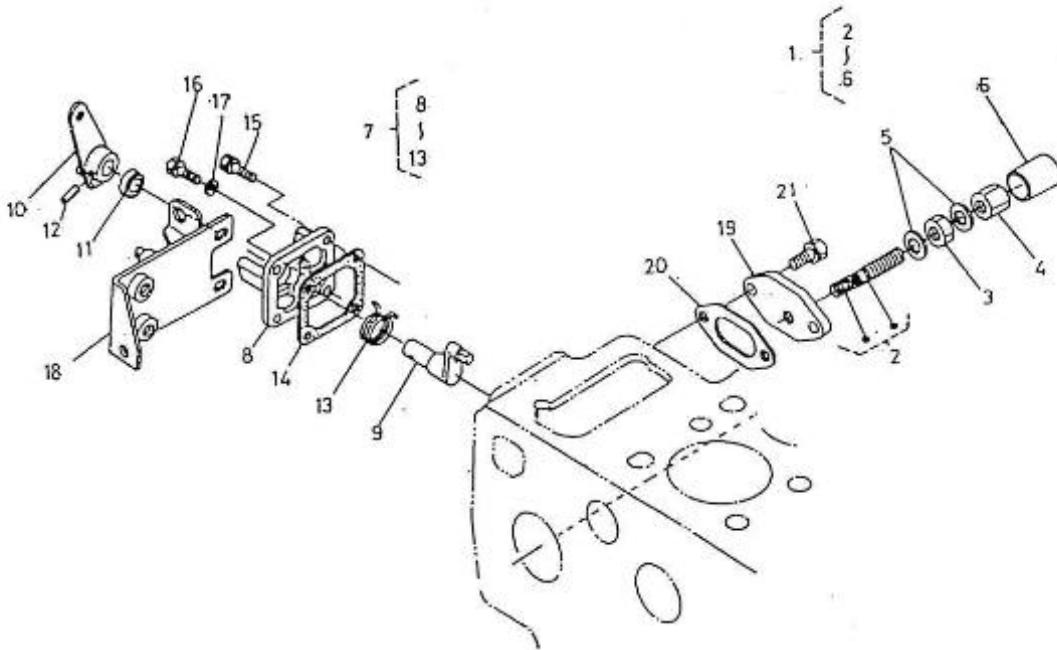
| Part number | Item | Désignation article | Quantity |
|-------------|------|---------------------|----------|
| 970310293 | 1 | FUEL FILTER | 1 |
| 970310302 | 2 | FILTER | 1 |

5.250TDI STANDARD ENGINE / INJECTION AND FEED PUMPS



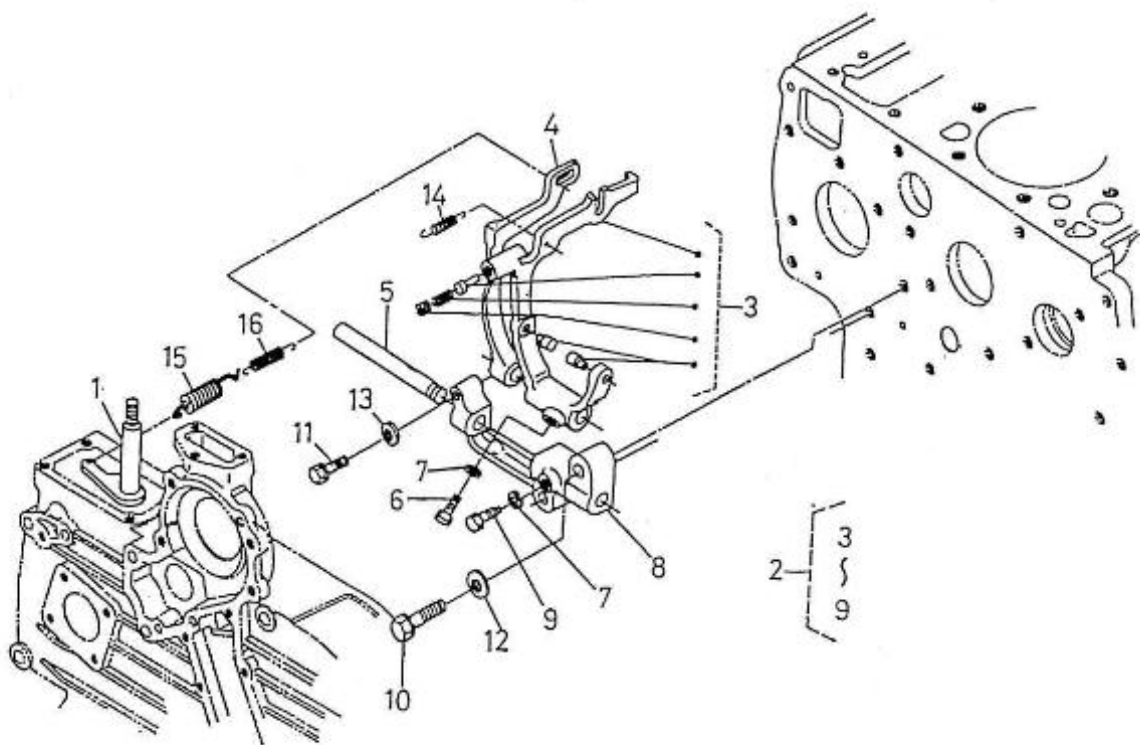
| Part number | Item | Désignation article | Quantity |
|-------------|------|----------------------|----------|
| 970307945 | 1 | ASSY PUMP,INJECTION | 1 |
| 970307947 | 2 | ASSY PLUNGER | 5 |
| 970307948 | 3 | VALVE,DELIVERY. | 5 |
| 970307949 | 4 | SPRING,DELIV.VALVE | 5 |
| 970303971 | 5 | GASKET,RING | 5 |
| 970307372 | 6 | HOLDER,DELIV.VALVE | 5 |
| 970307822 | 7 | O RING | 5 |
| 970303985 | 8 | TAPPET,INJ.PUMP CPL. | 5 |
| 970307374 | 9 | PIN,TAPPET GUIDE | 5 |
| 970303982 | 10 | SPRING,PLUNGER | 5 |
| 970303981 | 11 | SEAT,SPRING -UPPER- | 5 |
| 970307752 | 12 | SEAT,SPRING | 5 |
| 970307753 | 13 | SHIM | 5 |
| 970307754 | 14 | RACK,CONTROL | 1 |
| 970303980 | 15 | SLEEVE,CONTROL | 5 |
| 970302107 | 16 | SCREW,INJ.PUMP | 1 |
| 970307379 | 17 | WASHER,NIPPLE | 2 |
| 970307375 | 18 | PLATE | 1 |
| 970307373 | 20 | ASSY LOCK PLATE | 1 |
| 970307756 | 21 | ASSY PLATE,LOCK | 1 |

5.250TDI STANDARD ENGINE / REGULATOR ADJUSTMENT



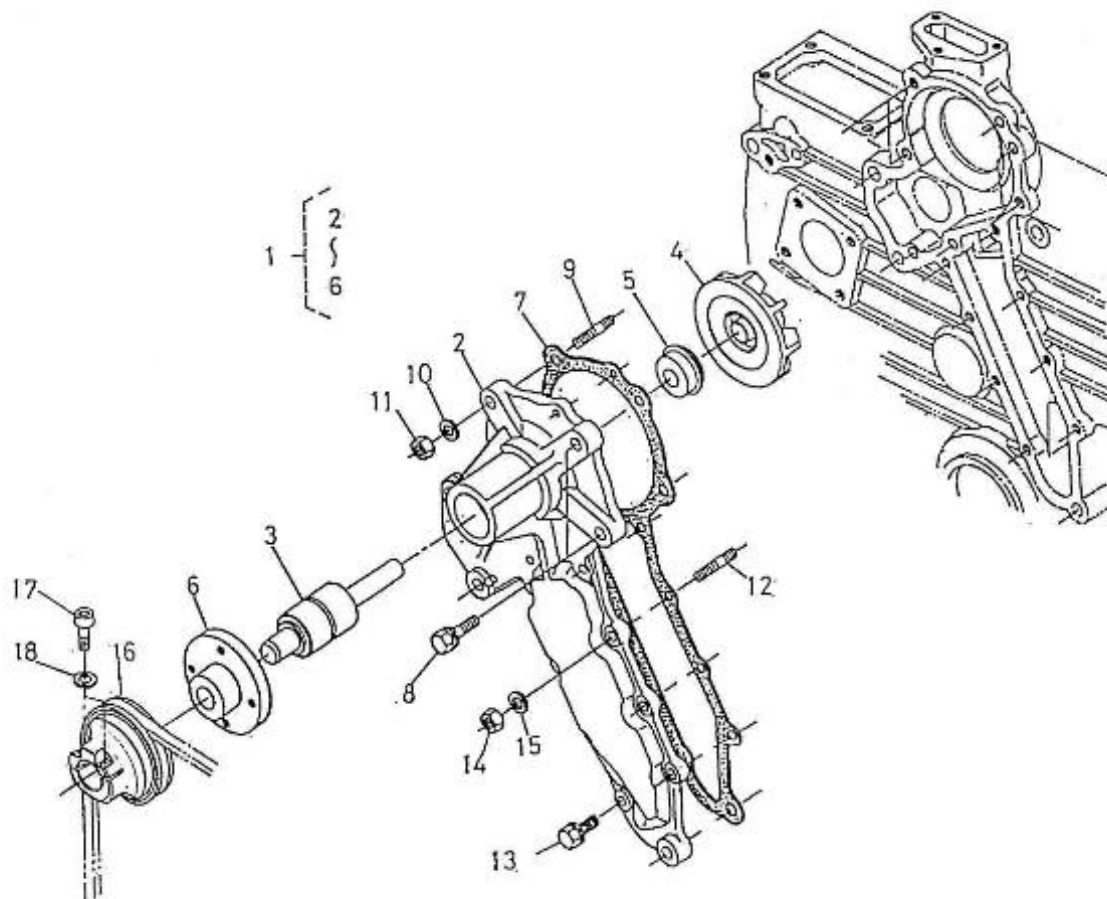
| Part number | Item | Désignation article | Quantity |
|-------------|------|----------------------|----------|
| 970307354 | 1 | APPARATUS,IDLING | 1 |
| 970307356 | 2 | ASSY BOLT,ADJUSTING | 1 |
| 970303906 | 3 | NUT | 1 |
| 970307355 | 4 | NUT,CAP | 1 |
| 970491131 | 5 | WASHER,SEAL | 2 |
| 970302069 | 6 | CAP | 1 |
| 970307942 | 7 | ASSY LEVER,ENG.STOP | 1 |
| 970307943 | 8 | COVER,INJECTION PUMP | 1 |
| 970307944 | 9 | SHAFT,LEVER | 1 |
| 970307360 | 10 | LEVER,ENGINE STOP | 1 |
| 970302861 | 11 | SEAL,OIL | 1 |
| 970151130 | 12 | PIN,SPRING RETAINER | 1 |
| 970307361 | 13 | SPRING,RETURN | 1 |
| 970310448 | 14 | GASKET,PUMP COVER NA | 1 |
| 970490119 | 15 | BOLT,M 6X 18 | 2 |
| 970141537 | 16 | BOLT, M6X22 | 2 |
| 970141326 | 17 | WASHER, PLAIN D6 | 2 |
| 970307366 | 18 | SUPPORT,SOLENOID | 1 |
| 970302930 | 19 | COVER | 1 |
| 970310450 | 20 | GASKET,BREATHER NA | 1 |
| 970491117 | 21 | BOLT,M 6X 16 | 2 |

5.250TDI STANDARD ENGINE / SPEED REGULATOR



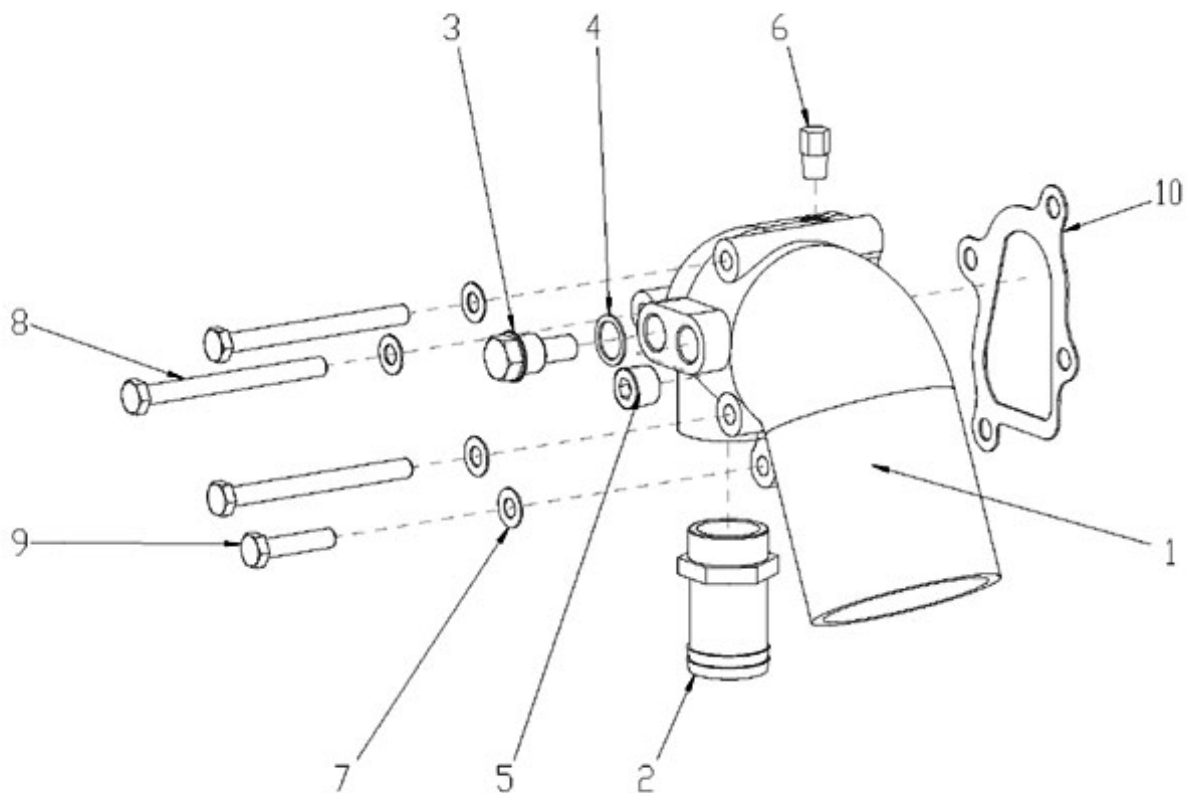
| Part number | Item | Désignation article | Quantity |
|-------------|------|---------------------|----------|
| 970302030 | 1 | LEVER,GOVERNOR | 1 |
| 970302035 | 6 | BOLT | 1 |
| 970119149 | 7 | WASHER, SPRING D 6 | 2 |
| 970302036 | 8 | SUPPORT,FORK LEVER | 1 |
| 970490520 | 9 | BOLT | 1 |
| 970302037 | 10 | BOLT,M 8X 32 | 2 |
| 970491323 | 11 | BOLT,M 6X 28 | 1 |
| 970301933 | 12 | WASHER,PLAIN D 8 | 2 |
| 970141326 | 13 | WASHER, PLAIN D6 | 1 |
| 970310462 | 14 | SPRING,START | 1 |
| 970310463 | 15 | SPRING,GOVERNOR | 1 |
| 970307384 | 16 | SPRING.GOVERNOR 2 | 1 |

5.250TDI STANDARD ENGINE / FRESH WATER PUMP



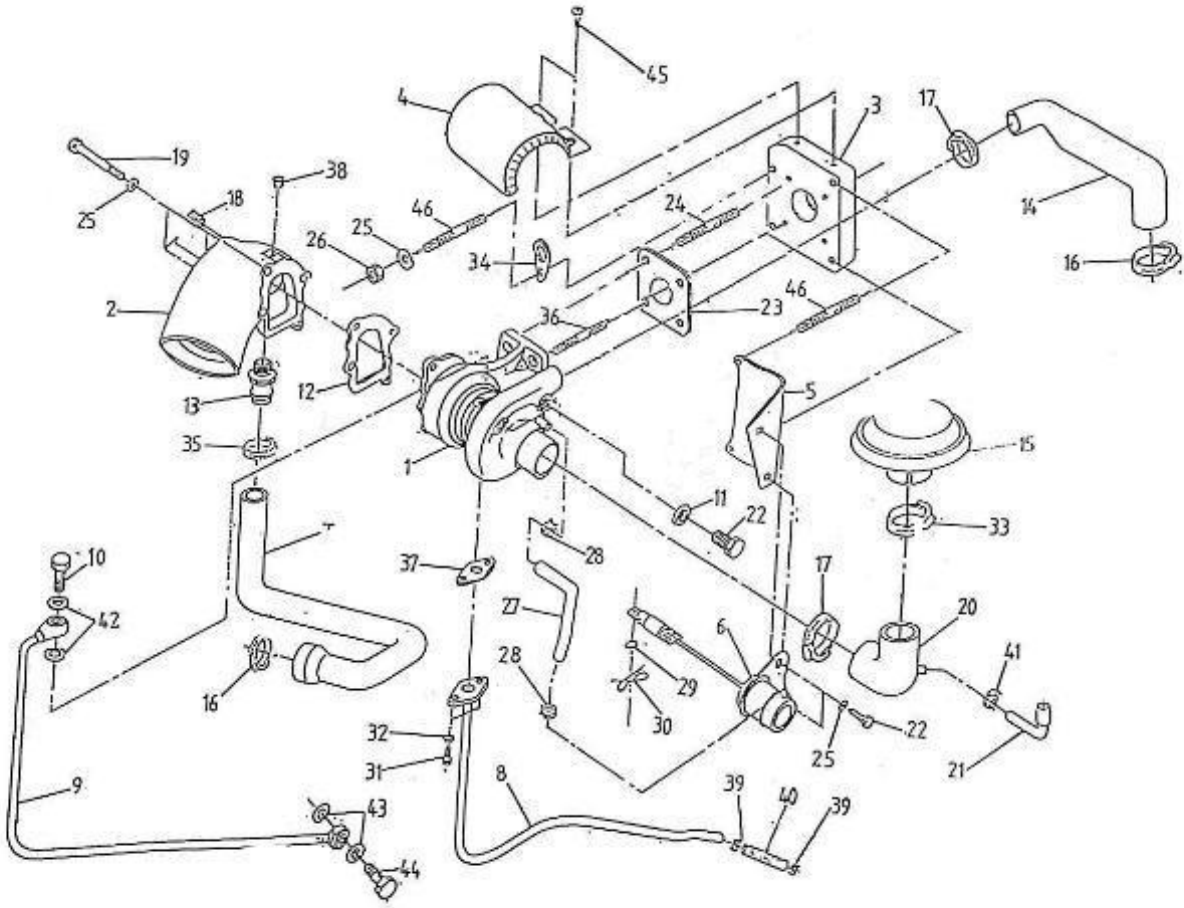
| Part number | Item | Désignation article | Quantity |
|-------------|------|-----------------------|----------|
| 970310485PR | 1 | ENS. POMPE A EAU | 1 |
| 970310486 | 2 | BODY,WATER PUMP | 1 |
| 970302109 | 3 | BEARING,SHAFT W/PUMP | 1 |
| 970313081 | 4 | IMPELLER,WATER PUMP | 1 |
| 970310488 | 5 | ASSY SEAL,MECHANICAL | 1 |
| 970302113 | 6 | FLANGE,F/WATER PUMP | 1 |
| 970310489 | 7 | GASKET,WATER PUMP NA | 1 |
| 970301986 | 8 | BOLT,M 8X 28 | 2 |
| 970302118 | 9 | STUD | 2 |
| 970490904 | 10 | WASHER,SPRING D 8 | 2 |
| 970490903 | 11 | NUT,M 8 | 2 |
| 970490224 | 12 | STUD | 1 |
| 970490119 | 13 | BOLT,M 6X 18 | 8 |
| 970151133 | 14 | NUT,M 6 | 1 |
| 970310417 | 15 | WASHER,SPRING | 1 |
| 95312183 | 16 | PULLEY | 1 |
| 970634037 | 17 | BOLT,SOCK M 6X 30 | 2 |
| 970609602 | 18 | WASHER,CORRUGATED D 6 | 2 |

5.250TDI STANDARD ENGINE / EXHAUST ELBOW



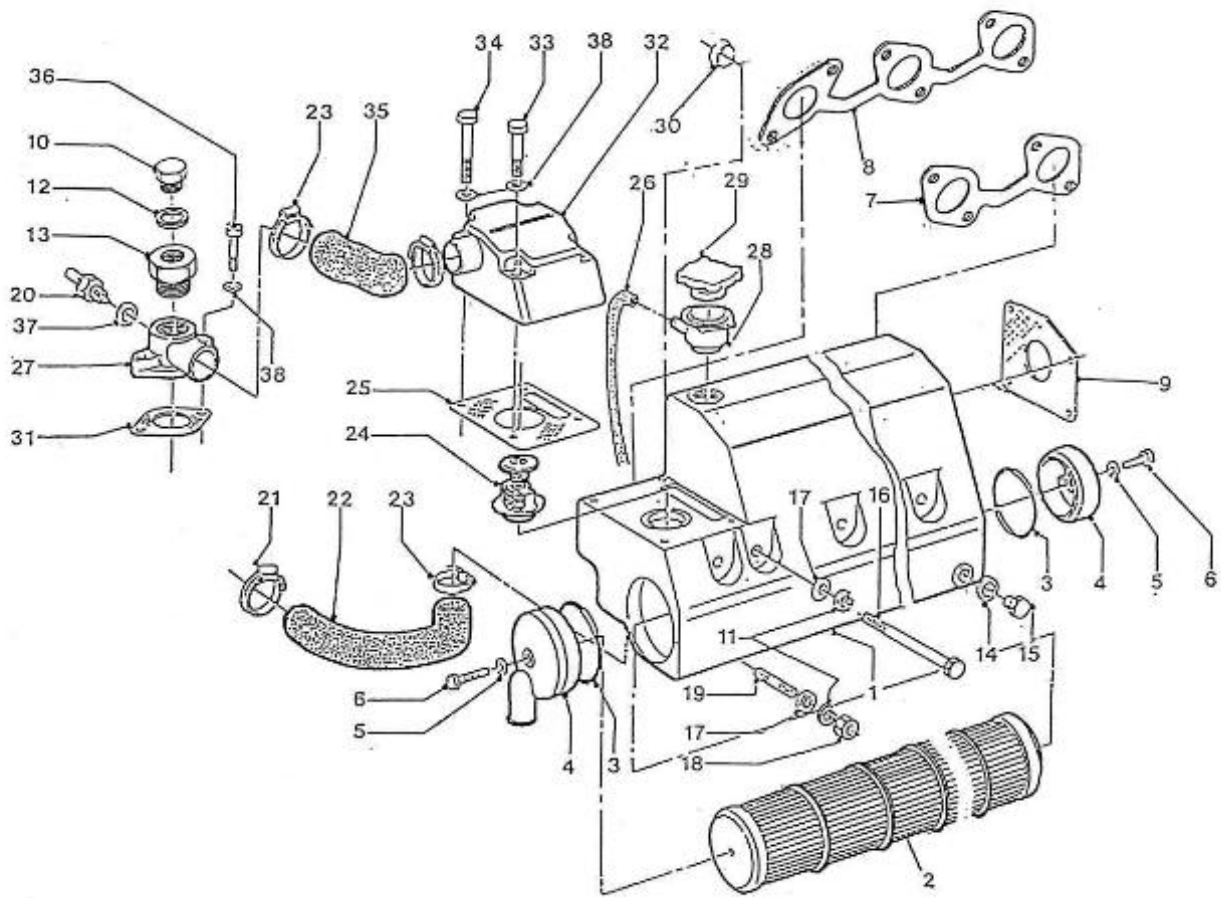
| Part number | Item | Désignation article | Quantity |
|-------------|------|------------------------|----------|
| 665700062A | 1 | EXHAUST COOLING ELBOW | 1 |
| 970892303 | 2 | SOCKET,HOSE | 1 |
| 970494635 | 3 | ANODE,ZINC CPL M16X1,5 | 1 |
| 970300199 | 4 | GASKET,RING D16 | 1 |
| 970310264 | 5 | PLUG | 1 |
| 970307265 | 6 | PLUG,HEX 1/8 | 1 |
| 970119139 | 7 | WASHER,CORRUGATED D8 | 4 |
| 970301280 | 8 | BOLT,HEX M 8X 90 | 3 |
| 970647316 | 9 | BOLT,HEX M 8X 35 | 1 |
| 970310502 | 10 | GASKET NA | 1 |

5.250TDI STANDARD ENGINE / TURBO AND EXHAUST MIXER



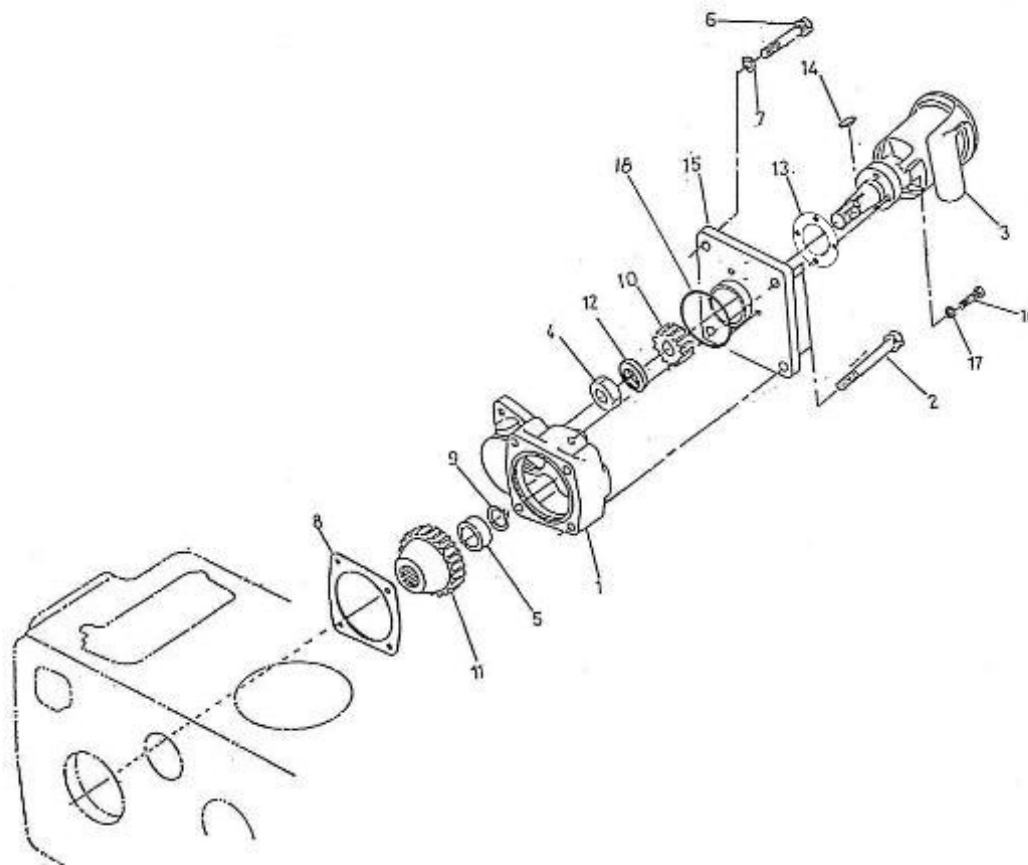
| Part number | Item | Désignation article | Quantity |
|-------------|------|-----------------------------|----------|
| 970310500 | 1 | TURBO CHARGER | 1 |
| 665700062A | 2 | EXHAUST COOLING ELBOW | 1 |
| 95310312 | 3 | FLANGE | 1 |
| 95310315 | 4 | TURBO COVER | 1 |
| 95203029 | 5 | BRACKET | 1 |
| 48328059 | 7 | HOSE | 1 |
| 51306098 | 8 | PIPE | 1 |
| 51306099 | 9 | PIPE | 1 |
| 970310505 | 10 | BOLT,EYE JOINT | 1 |
| 970300288 | 11 | GASKET,M8 | 2 |
| 970310502 | 12 | GASKET NA | 1 |
| 970892303 | 13 | SOCKET,HOSE | 1 |
| 48328057 | 14 | HOSE | 1 |
| 970310272 | 15 | COVER | 1 |
| 970634621 | 16 | CLAMP,HOSE | 2 |
| 970604533 | 17 | CLAMP,HOSE 32-44 | 1 |
| 970310264 | 18 | PLUG | 1 |
| 970647316 | 19 | BOLT,HEX M 8X 35 | 1 |
| 970301280 | 19 | BOLT,HEX M 8X 90 | 3 |
| 970310280 | 20 | HOSE | 1 |
| 48328069 | 21 | HOSE | 1 |
| 970832061 | 22 | BOLT | 2 |
| 970310501 | 23 | GASKET NA | 1 |
| 970300080 | 24 | STUD,M 8X 25 | 4 |
| 970119138 | 25 | WASHER,SPRING D 8 | 8 |
| 970027322 | 26 | NUT,M 8 | 8 |
| 970310548 | 27 | HOSE | 1 |
| 970439306 | 28 | CLAMP | 2 |
| 970635459 | 29 | WASHER,PLAIN D 6 | 1 |
| 970300292 | 30 | PIN,COTTER 1,6X25 | 1 |
| 970491536 | 31 | BOLT,M 6X 20 | 2 |
| 970634621 | 33 | CLAMP,HOSE | 1 |
| 970490901 | 34 | HOOK,ENGINE 2.60-3.90-4.110 | 1 |
| 970604533 | 35 | CLAMP,HOSE 32-44 | 1 |
| 970300374 | 36 | STUD,M 8X 30 | 1 |
| 970310508 | 37 | GASKET NA | 1 |
| 970307265 | 38 | PLUG,HEX 1/8 | 1 |
| 970310510 | 39 | CLAMP,HOSE | 2 |
| 970310509 | 40 | PIPE,OIL | 1 |
| 970301604 | 41 | CLAMP,HOSE 15-24 | 1 |
| 970300430 | 42 | GASKET,RING D10 | 2 |
| 970491131 | 43 | WASHER,SEAL | 2 |
| 970310504 | 44 | BOLT,EYE JOINT | 1 |
| 970609601 | 45 | BOLT,HEX M 6X 12 | 2 |
| 970307249 | 46 | STUD | 3 |

5.250TDI STANDARD ENGINE / HEAT EXCHANGER



| Part number | Item | Désignation article | Quantity |
|-------------|------|------------------------------|----------|
| 970307951 | 1 | HOUSING,HEATEXCHANGER | 1 |
| 970307503 | 2 | TUBE,STACK | 1 |
| KSAV02 | 3 | HEAT EXCHANGER GASKET KIT | 1 |
| 970307714 | 4 | COVER | 2 |
| 970300288 | 5 | GASKET,M8 | 2 |
| 970301263 | 6 | BOLT,M 8X 45 -A2- | 2 |
| 970310495 | 7 | GASKET,E-MANIFOLD NA | 1 |
| 970310496 | 8 | GASKET,E-MANIFOLD NA | 1 |
| 970301710 | 9 | GASKET,MIXER 4.190 | 1 |
| 970639853 | 10 | ""PLUG,HEX 3/8""G"" | 1 |
| 970119138 | 11 | WASHER,SPRING D 8 | 12 |
| 970300289 | 12 | GASKET,RING D17 | 1 |
| 970307656 | 13 | PLUG,HEX 36/150 | 1 |
| 970300306 | 14 | GASKET,RING D14 | 1 |
| 970875506 | 15 | PLUG | 1 |
| 970301703 | 16 | BOLT,HEX M 8X160 | 5 |
| 970027323 | 17 | WASHER,PLAIN D 8 | 10 |
| 970027322 | 18 | NUT,M 8 | 5 |
| 970300374 | 19 | STUD,M 8X 30 | 5 |
| 970851602 | 20 | WATER TEMPERATURE SENDER | 1 |
| 970604533 | 21 | CLAMP,HOSE 32-44 | 1 |
| 970310281 | 22 | HOSE | 1 |
| 970300922 | 23 | CLAMP,HOSE 26-38 | 3 |
| 970307282 | 24 | THERMOSTAT | 1 |
| 970301408 | 25 | GASKET,THERMOSTAT COVER | 1 |
| 970300077 | 26 | HOSE,D 8 L= 450 | 1 |
| 970301711 | 27 | FLANGE,WATER INTAKE 4.190 | 1 |
| 970300151 | 28 | FILLING,NECK WATER | 1 |
| 970604614 | 29 | CAP,FILLING 0, 7 DOUBLE SEAL | 1 |
| 970494517 | 30 | CAP,FREEZE | 2 |
| 970301730 | 31 | GASKET,FLANGE | 1 |
| 970301403 | 32 | COVER,THERMOSTAT | 1 |
| 970300409 | 33 | BOLT,HEX M 8X 55 | 2 |
| 970300261 | 34 | BOLT,HEX M 8X 80 | 2 |
| 48328068 | 35 | HOSE | 1 |
| 970635916 | 36 | BOLT,SOCK M 8X 35 | 2 |
| 970300306 | 37 | GASKET,RING D14 | 1 |
| 970119139 | 38 | WASHER,CORRUGATED D8 | 6 |
| 970307950PR | 39 | HEATEXCHANGER | 1 |

5.250TDI STANDARD ENGINE / SEA WATER PUMP

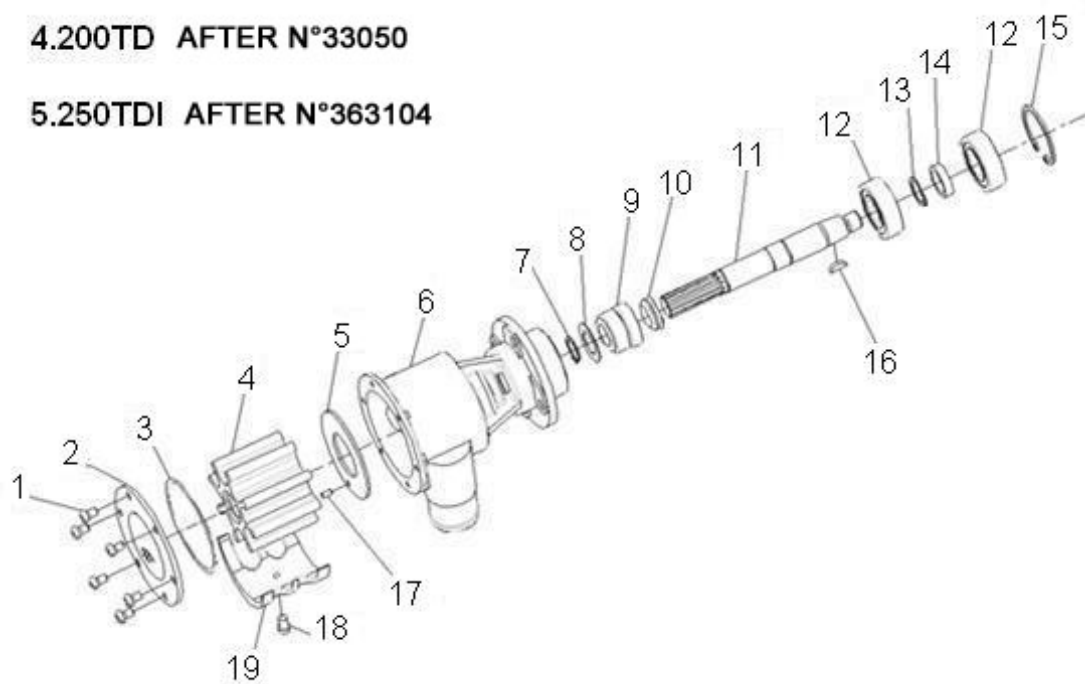


| Part number | Item | Désignation article | Quantity |
|-------------|------|-----------------------|----------|
| 970310511 | 1 | BASE,OIL PUMP | 1 |
| 970644594 | 2 | BOLT,HEX M 8X 60 | 2 |
| 970316374 | 3 | PUMP,WATER | 1 |
| 970647607 | 4 | NUT,M12 LOW | 1 |
| 970310515 | 5 | SPACER | 1 |
| 970119141 | 6 | BOLT,HEX M8X 20 | 2 |
| 970119139 | 7 | WASHER,CORRUGATED D8 | 4 |
| 970310513 | 8 | GASKET | 1 |
| 970312517 | 9 | CIR CLIP , EXTERNAL | 1 |
| 970310516 | 10 | GEAR,INJ.PUMP | 1 |
| 970310512 | 11 | GEAR,INJ.PUMP | 1 |
| 970647606 | 12 | WASHER,CORRUGATED D12 | 1 |
| 970302683 | 13 | GASKET,WATER PUMP | 1 |
| 970310558 | 14 | KEY | 1 |
| 95312181 | 15 | FLANGE | 1 |
| 970644006 | 16 | BOLT,HEX M 6X 20 | 4 |
| 970609602 | 17 | WASHER,CORRUGATED D 6 | 4 |
| 48418178 | 18 | O-RING | 1 |

5.250TDI STANDARD ENGINE / SEA WATER PUMP - DETAILS

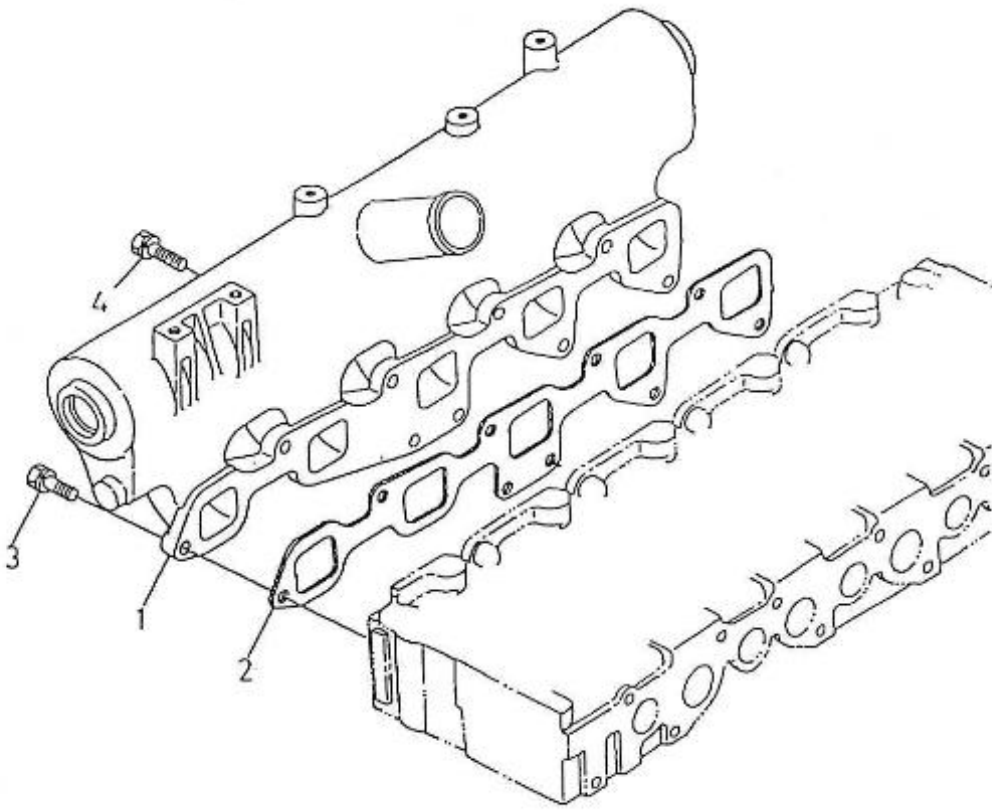
4.200TD AFTER N°33050

5.250TDI AFTER N°363104



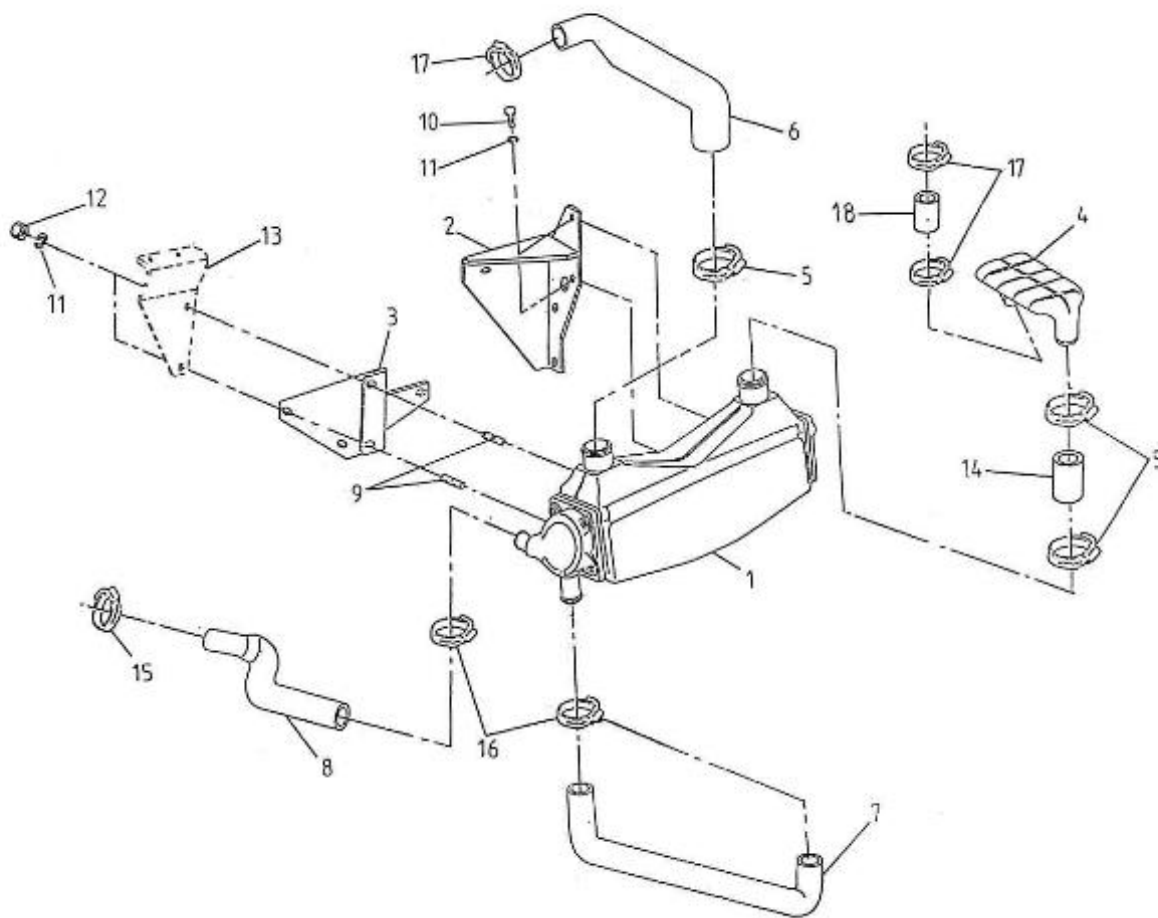
| Part number | Item | Désignation article | Quantity |
|-------------|------|------------------------------|----------|
| 970312429 | 1 | SCREW | 6 |
| 970304048 | 1 | SCREW,CAM WATER PUMP | 6 |
| 970614623 | 2 | COVER,END F7B-803 | 1 |
| 970313122 | 2 | COVER | 1 |
| 970313123 | 3 | GASKET | 1 |
| 970614616 | 3 | GASKET,F7B | 1 |
| 970544310 | 4 | IMPELLER,WATER PUMP F 7B-803 | 1 |
| 970614622 | 5 | SCREW,CAM WATER PUMP F7B-803 | 1 |
| 970313125 | 5 | SPACER | 1 |
| 970614621 | 6 | CAM,WATER PUMP F7B-803 | 1 |
| 970313127 | 7 | CIRCLIPS | 1 |
| 970313128 | 8 | WASHER,WATER PUMP | 1 |
| 970614516 | 8 | O-RING SEAL | 1 |
| 970313129 | 9 | GASKET | 1 |
| 970614626 | 9 | O-RING,WATER PUMP F7B-9/10 | 2 |
| 970313130 | 10 | LIP SEAL | 1 |
| 970614624 | 10 | WASHER,WATER PUMP F7B-9/10 | 1 |
| 970310559 | 11 | PUMP SHAFT | 1 |
| 970313131 | 11 | WATER PUMP SHAFT | 1 |
| 970614617 | 12 | BEARING,CASE | 2 |
| 970312426 | 12 | BALL BEARING | 2 |
| 970614627 | 13 | RING,RETAINING | 1 |
| 970304049 | 13 | CIR-CLIP | 1 |
| 970313134 | 14 | SPACER | 1 |
| 970304049 | 14 | CIR-CLIP | 1 |
| 970614627 | 15 | RING,RETAINING | 1 |
| 970310561 | 15 | SEAL | 1 |
| 970310558 | 16 | KEY | 1 |
| 970316374 | 17 | PUMP,WATER | 1 |
| 970303675 | 17 | PIN,WATER PUMP F5B-9000 | 1 |
| 970304048 | 18 | SCREW,CAM WATER PUMP | 1 |
| 970301804 | 18 | REPAIR KIT | 1 |
| 970313139 | 19 | CAM,WATER PUMP | 1 |

5.250TDI STANDARD ENGINE / INTAKE MANIFOLD



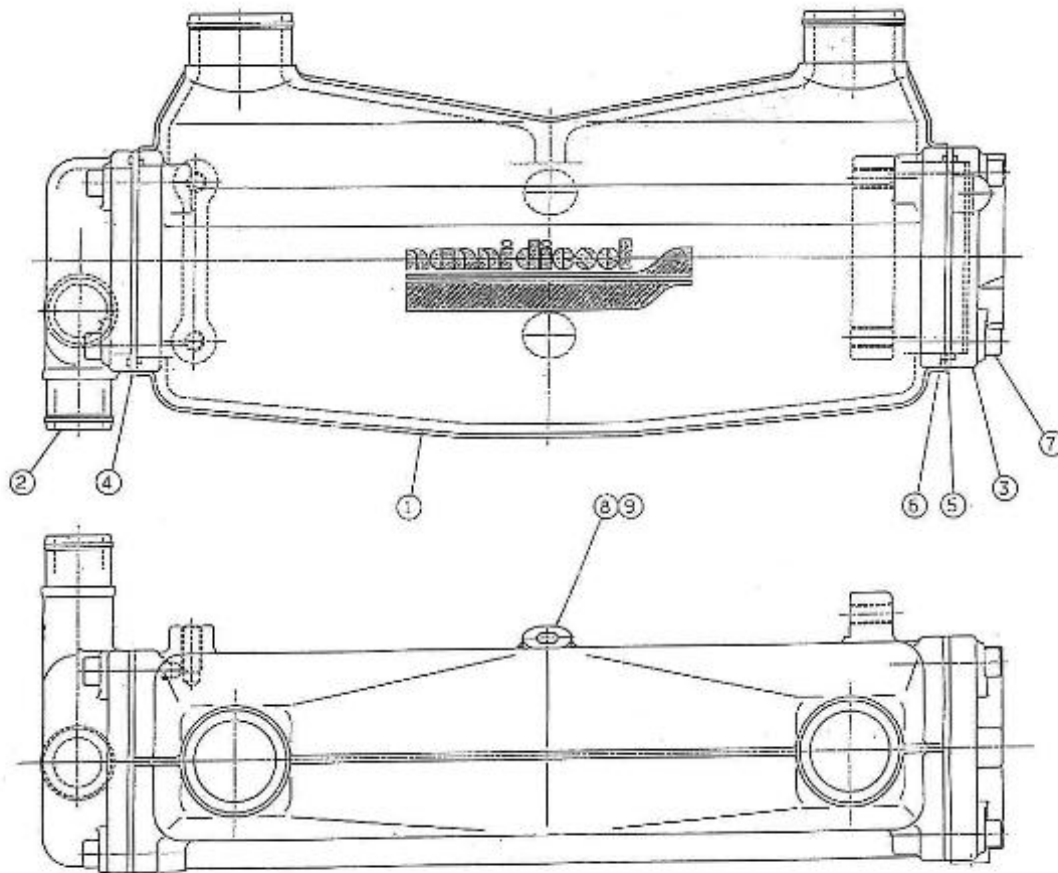
| Part number | Item | Désignation article | Quantity |
|-------------|------|---------------------|----------|
| 970310497 | 1 | MANIFOLD,INLET | 1 |
| 970310498 | 2 | GASKET,MANIFOLD NA | 1 |
| 970492138 | 3 | BOLT,M 8X 22 | 7 |
| 970310499 | 4 | BOLT | 2 |

5.250TDI STANDARD ENGINE / AIR COOLER



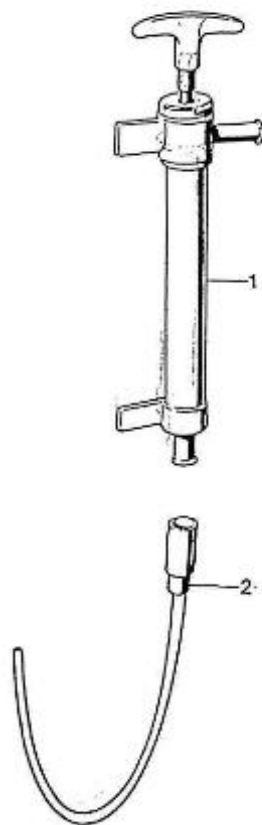
| Part number | Item | Désignation article | Quantity |
|-------------|------|-----------------------|----------|
| 48300362 | 1 | INTERCOOLER | 1 |
| 95310309 | 2 | BRACKET | 1 |
| 95310310 | 3 | BRACKET | 1 |
| 665700063 | 4 | INLET PIPE | 1 |
| 970634621 | 5 | CLAMP,HOSE | 3 |
| 48328057 | 6 | HOSE | 1 |
| 48328061 | 7 | HOSE | 1 |
| 48328058 | 8 | HOSE | 1 |
| 970621020 | 9 | STUD,M10X 22 | 2 |
| 970635508 | 10 | BOLT,HEX M10X 25 | 2 |
| 970119137 | 11 | WASHER,CORRUGATED D10 | 4 |
| 970027322 | 12 | NUT,M 8 | 2 |
| 95310306 | 13 | SUPPORT FUEL FILTER | 1 |
| 51850001 | 14 | HOSE | 1 |
| 970604526 | 15 | CLAMP,HOSE 22-32 | 1 |
| 970300922 | 16 | CLAMP,HOSE 26-38 | 3 |
| 970604533 | 17 | CLAMP,HOSE 32-44 | 3 |
| 970644591 | 18 | HOSE,D40 L= 40 | 1 |

5.250TDI STANDARD ENGINE / AIR COOLER - DETAILS



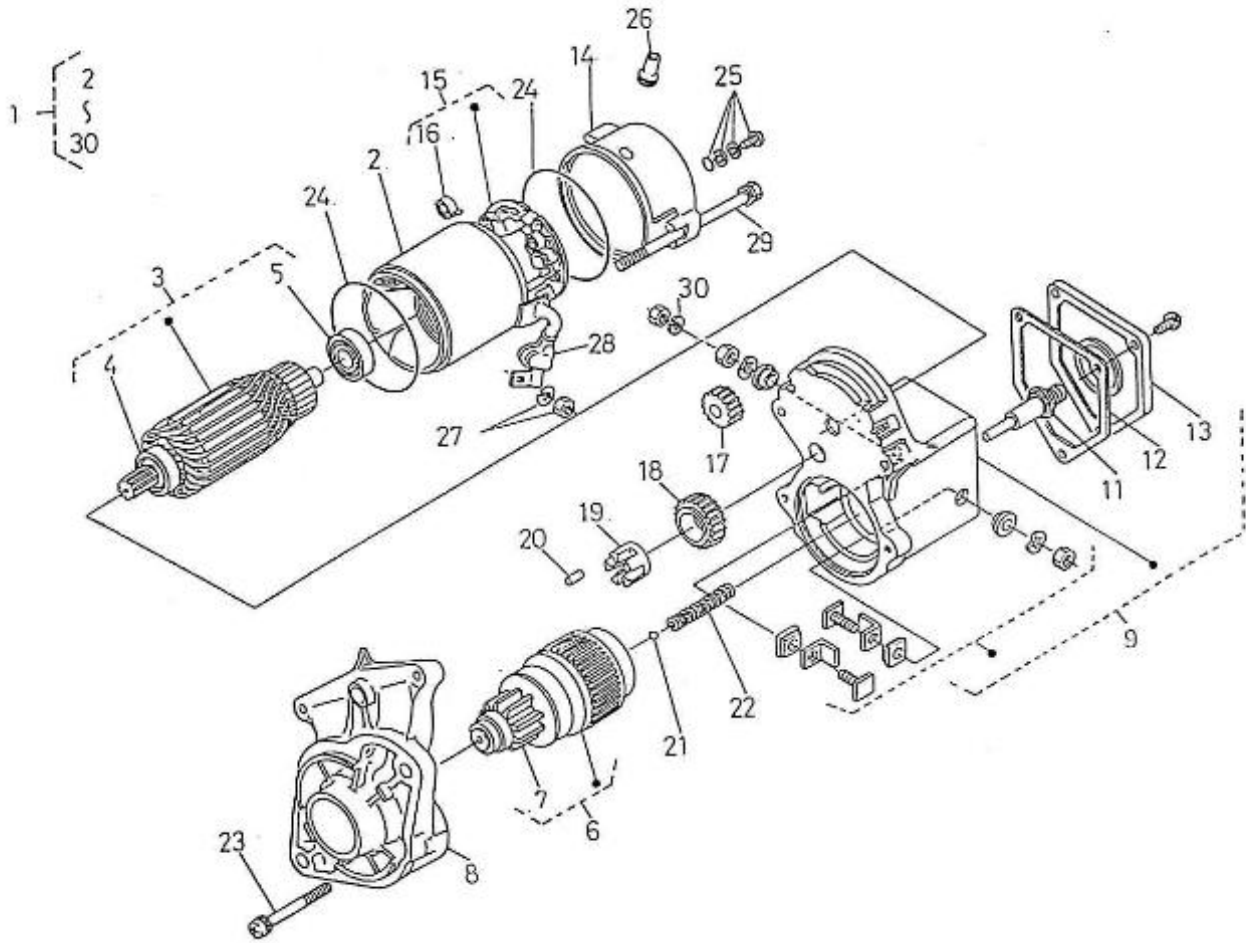
| Part number | Item | Désignation article | Quantity |
|-------------|------|----------------------|----------|
| 970310549 | 1 | HOUSING, INTERCOOLER | 1 |
| 970310552 | 4 | TUB STACK | 1 |
| 970310553 | 5 | SPACER | 1 |
| 970310554 | 6 | O-RING | 4 |
| 970635916 | 7 | BOLT, SOCK M 8X 35 | 8 |
| 970310555 | 8 | CAP, FREEZE | 2 |
| 970310556 | 9 | BALL | 2 |

5.250TDI STANDARD ENGINE / OIL DRAIN PUMP



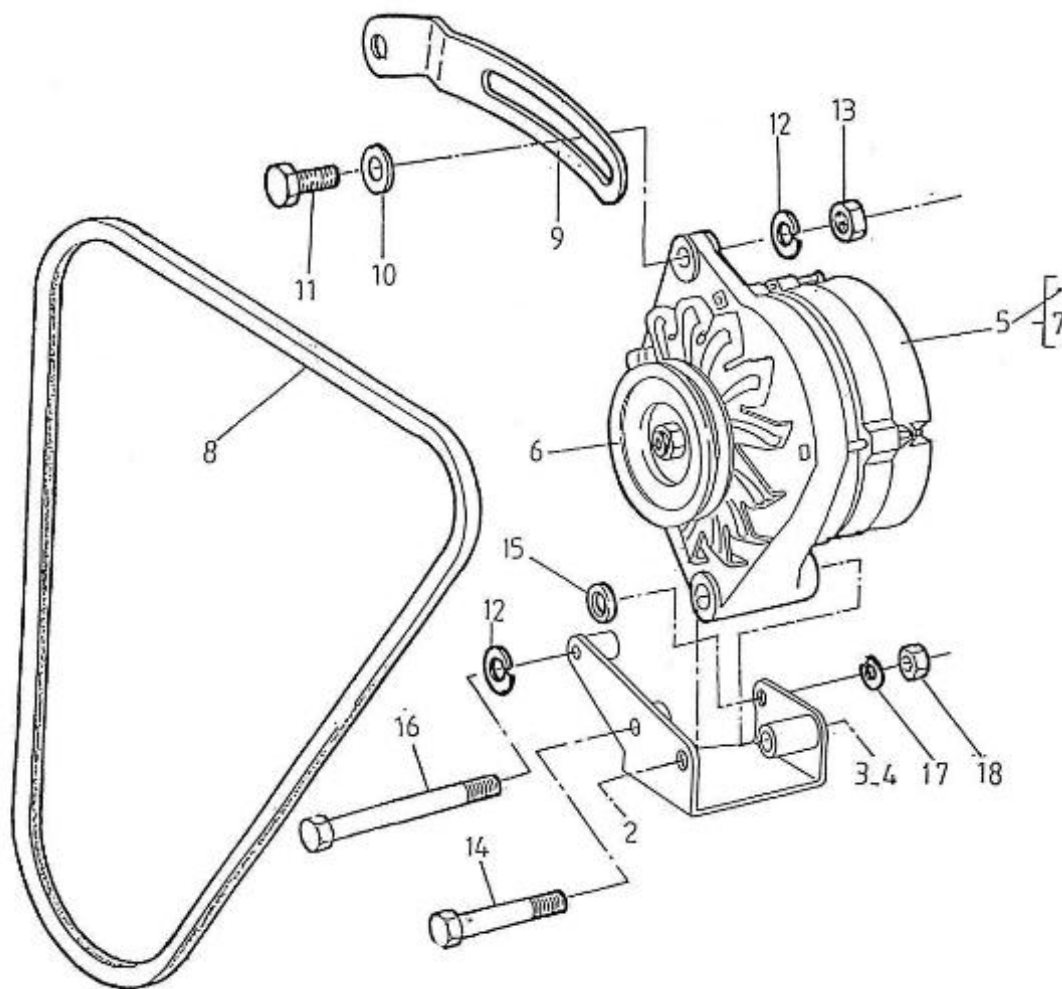
| Part number | Item | Désignation article | Quantity |
|-------------|------|---------------------|----------|
| 970439302 | 1 | PUMP,OIL EXTRACTION | 1 |
| 970310401 | 2 | PIPE | 1 |

5.250TDI STANDARD ENGINE / STATER - DETAILS



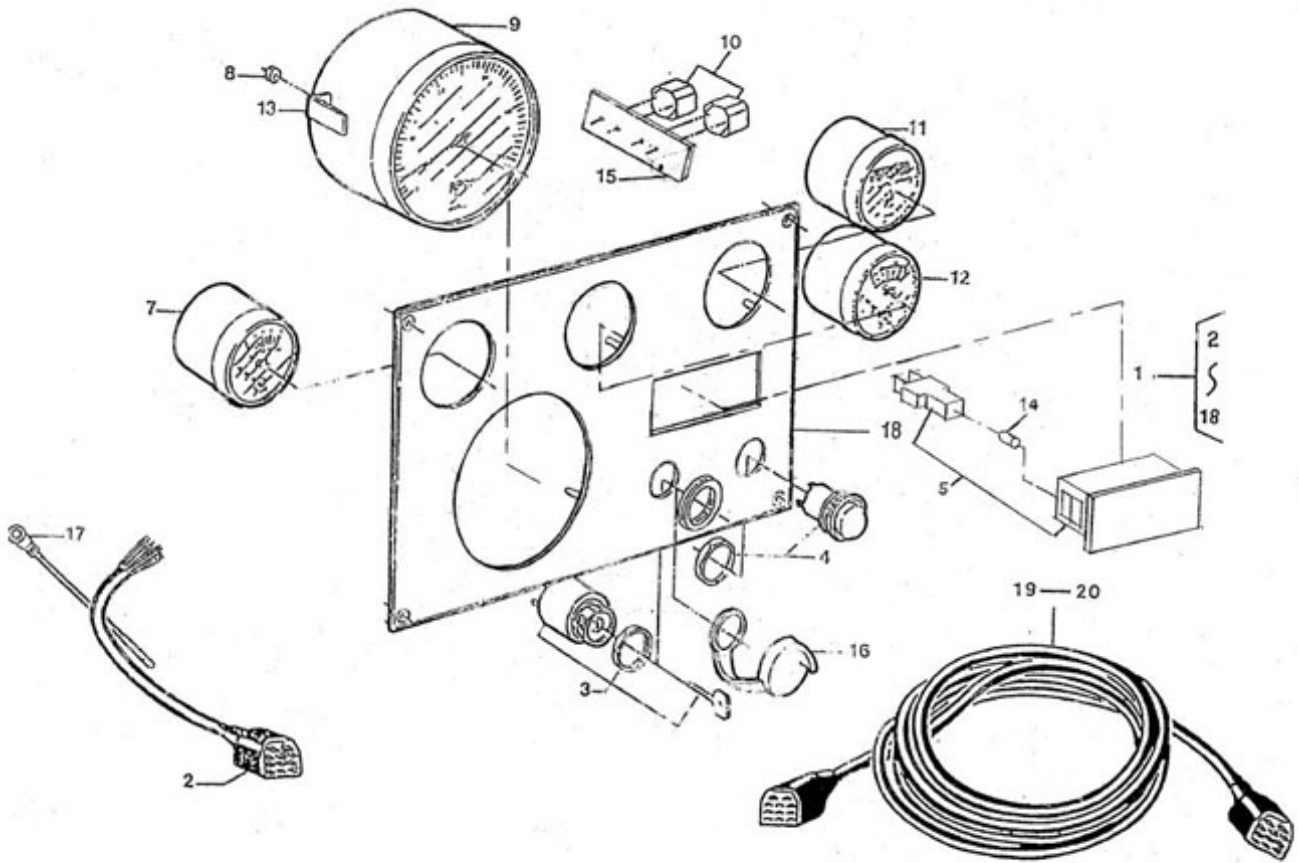
| Part number | Item | Désignation article | Quantity |
|-------------|------|--------------------------------|----------|
| 970302070 | 1 | STARTER,MOTOR 12V 0,8KW | 1 |
| 970303987 | 3 | ROTOR,STARTER 6.280 | 1 |
| 970303988 | 4 | GASKET,RING | 1 |
| 970307787 | 5 | BEARING,BALL(RADIAL) | 1 |
| 970303994 | 6 | PINION,SWITCH | 1 |
| 970303994 | 7 | PINION,SWITCH | 1 |
| 970303991 | 9 | HOLDER,MAGNETIC SWITCH | 1 |
| 970303991 | 10 | HOLDER,MAGNETIC SWITCH | 1 |
| 970307789 | 11 | PLUNGER | 1 |
| 970307790 | 12 | GASKET | 1 |
| 970307791 | 13 | COVER | 1 |
| 970307792 | 14 | FRAME,END | 1 |
| 970303989 | 15 | HOLDER,BRUSH | 1 |
| 970517318 | 16 | SPRING,BRUSH | 4 |
| 970303992 | 17 | GEAR,1 | 1 |
| 970517313 | 18 | GEAR,2 STARTER MOTOR 4.110 | 1 |
| 970517315 | 19 | BUSHING,PLASTIC (STARTER MOTOR | 1 |
| 970517314 | 20 | ROLLER,STARTER MOTOR 4.110 | 5 |
| 970517316 | 21 | BHEARING,BALL STARTER MOTOR | 1 |
| 970517319 | 22 | SPRING,STARTER MOTOR 4.110 | 1 |
| 970303997 | 23 | SCREW | 2 |
| 970303990 | 24 | GASKET | 1 |
| 970307793 | 25 | ASSY BOLT | 2 |
| 970307794 | 26 | COVER | 1 |
| 970517324 | 27 | NUT,STATER 4.110 | 1 |
| 970303965 | 28 | COVER,CORD | 1 |
| 970303996 | 29 | BOLT | 2 |
| 970490904 | 30 | WASHER,SPRING D 8 | 1 |

5.250TDI STANDARD ENGINE / ALTERNATOR



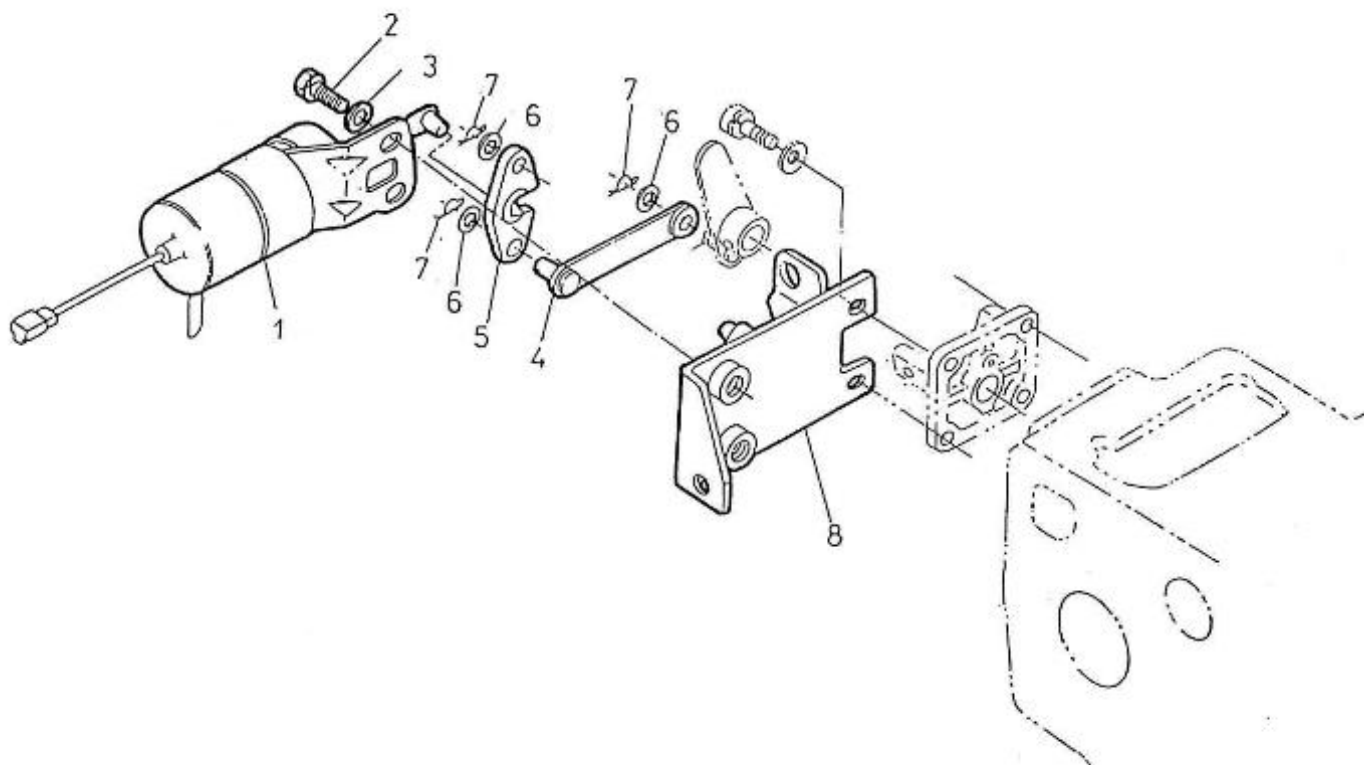
| Part number | Item | Désignation article | Quantity |
|-------------|------|----------------------|----------|
| 970307438 | 1 | SUPPORT,ALTERNATOR | 1 |
| 970307531 | 2 | BOLT | 1 |
| 970039794 | 3 | WASHER | 1 |
| 970307532 | 4 | NUT | 1 |
| 970307522 | 5 | ALTERNATOR,14V-60A | 1 |
| 970307521 | 6 | PULLEY | 1 |
| 970307533 | 7 | REGULATOR,ALTERNATOR | 1 |
| 970310301 | 8 | V-BELT | 1 |
| 970307437 | 9 | TIGHTENER,V-BELT | 1 |
| 970304050 | 10 | WASHER | 1 |
| 970024016 | 11 | BOLT,HEX M 8X 40 | 1 |
| 970119138 | 12 | WASHER,SPRING D 8 | 2 |
| 970027322 | 13 | NUT,M 8 | 1 |
| 39160421 | 14 | BOLT | 1 |
| 970307750 | 15 | SPACER | 1 |
| 970300191 | 16 | BOLT,HEX M 8X100 | 1 |
| 970119136 | 17 | WASHER,SPRING D10 | 1 |
| 970119143 | 18 | NUT, M10 | 1 |

5.250TDI STANDARD ENGINE / INSTRUMENT PANELS



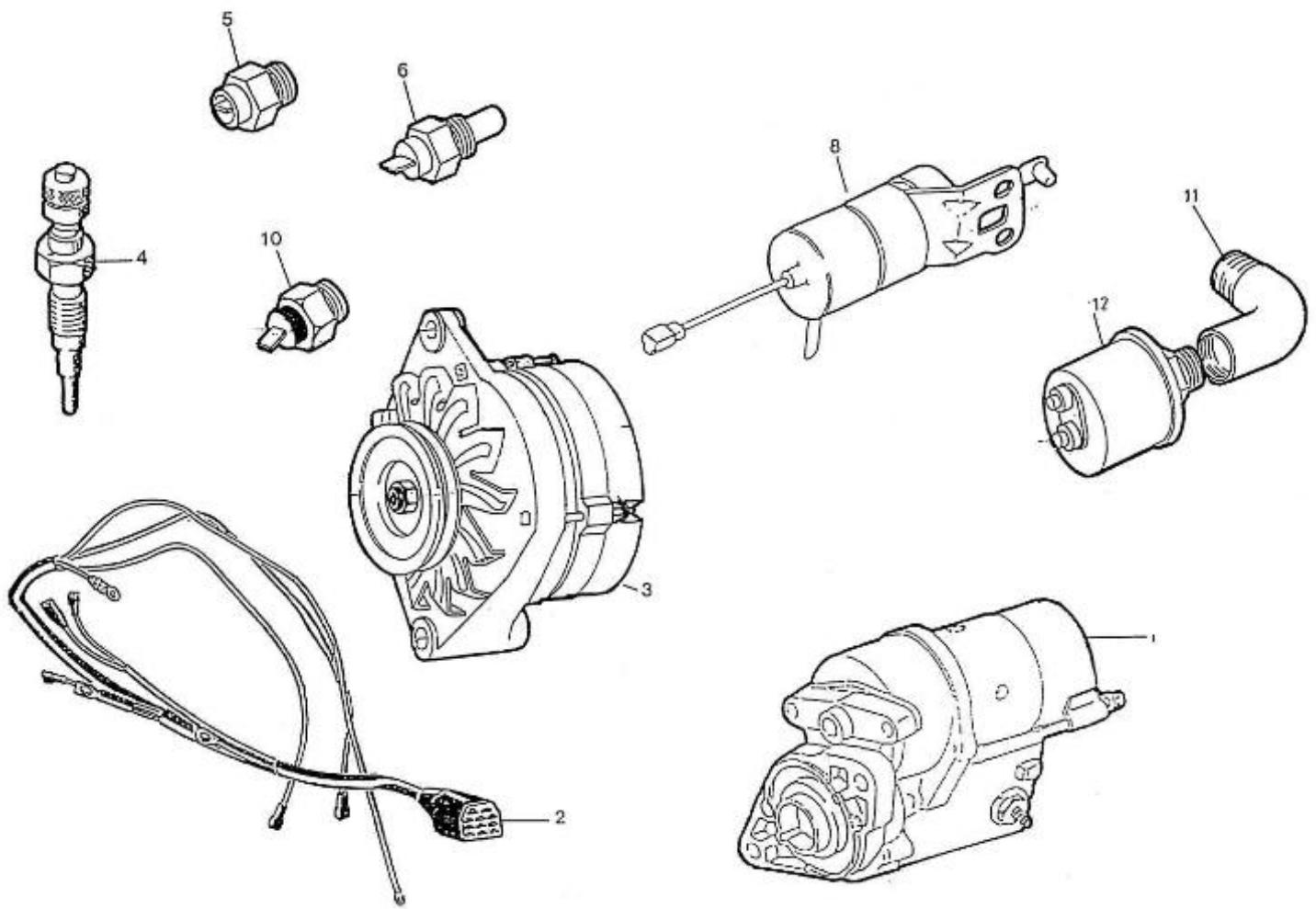
| Part number | Item | Désignation article | Quantity |
|-------------|------|--------------------------------|----------|
| 970304004 | 2 | ENS. CABLAGE TABLEAU 5 INSTR | 1 |
| 645200021 | 2 | PLATE,PANEL | 1 |
| 970302667 | 3 | SWITCH,BOSCH STARTER + GLOWING | 1 |
| 970301191 | 3 | NUT,M 4 A2 | 4 |
| 970300920 | 4 | CLAMP,INSTRUMENTS | 8 |
| 970302662 | 4 | WIRING,PANEL 1 INSTR. (11P | 1 |
| 970300967 | 4 | BUTTON,PUSH | 1 |
| 970856005 | 5 | INDICATORI OTTICI A 4 SPIE | 1 |
| 970301191 | 5 | NUT,M 4 A2 | 8 |
| 970856011 | 5 | BULB 12V-2W | 5 |
| 970302684 | 6 | BUZZER,SONITRON SMA 24A P17.05 | 2 |
| 970856005 | 6 | INDICATORI OTTICI A 4 SPIE | 1 |
| 970850603 | 6 | THERM.V. 120C 12V D52 | 1 |
| 970300920 | 7 | CLAMP,INSTRUMENTS | 4 |
| 970850705 | 7 | OIL PRESSURE GAUGE 5B | 1 |
| 970301191 | 8 | NUT,M 4 A2 | 12 |
| 970856011 | 8 | BULB 12V-2W | 2 |
| 970302684 | 8 | BUZZER,SONITRON SMA 24A P17.05 | 2 |
| 970302667 | 9 | SWITCH,BOSCH STARTER + GLOWING | 1 |
| 970302667 | 10 | SWITCH,BOSCH STARTER + GLOWING | 1 |
| 970300967 | 10 | BUTTON,PUSH | 1 |
| 970302684 | 10 | BUZZER,SONITRON SMA 24A P17.05 | 2 |
| 48201001 | 11 | VOLTMETER | 1 |
| 970856005 | 11 | INDICATORI OTTICI A 4 SPIE | 1 |
| 970300967 | 11 | BUTTON,PUSH | 1 |
| 970850801 | 12 | VOLTMETER | 1 |
| 970856011 | 12 | BULB 12V-2W | 1 |
| 48201000 | 12 | OIL PRESSURE GAUGE 5B | 1 |
| 970856005 | 12 | INDICATORI OTTICI A 4 SPIE | 1 |
| 970300920 | 13 | CLAMP,INSTRUMENTS | 12 |
| 970304021 | 13 | COVER | 1 |
| 970302663 | 13 | WIRING,PANEL 2INSTR. ADDITION | 1 |
| 970304021 | 14 | COVER | 1 |
| 970304019 | 14 | CABLEBINDER,PLASTIC 4.8X195 | 1 |
| 970856011 | 14 | BULB 12V-2W | 9 |
| 970304019 | 15 | CABLEBINDER,PLASTIC 4.8X195 | 1 |
| 970302666 | 15 | WIRING,INTERMEDIATE 8MTR 11POS | 1 |
| 970302665 | 16 | WIRING,INTERMEDIATE 4MTR 11POS | 1 |
| 645200020 | 16 | PLATE,PANEL | 1 |
| 970304021 | 16 | COVER | 1 |
| 970302665 | 17 | WIRING,INTERMEDIATE 4MTR 11POS | 1 |
| 970304019 | 17 | CABLEBINDER,PLASTIC 4.8X195 | 1 |
| 645200019 | 18 | PLATE,PANEL | 1 |
| 970302666 | 18 | WIRING,INTERMEDIATE 8MTR 11POS | 1 |
| 970302665 | 19 | WIRING,INTERMEDIATE 4MTR 11POS | 1 |
| 970302666 | 20 | WIRING,INTERMEDIATE 8MTR 11POS | 1 |

5.250TDI STANDARD ENGINE / ELECTRICAL STOP



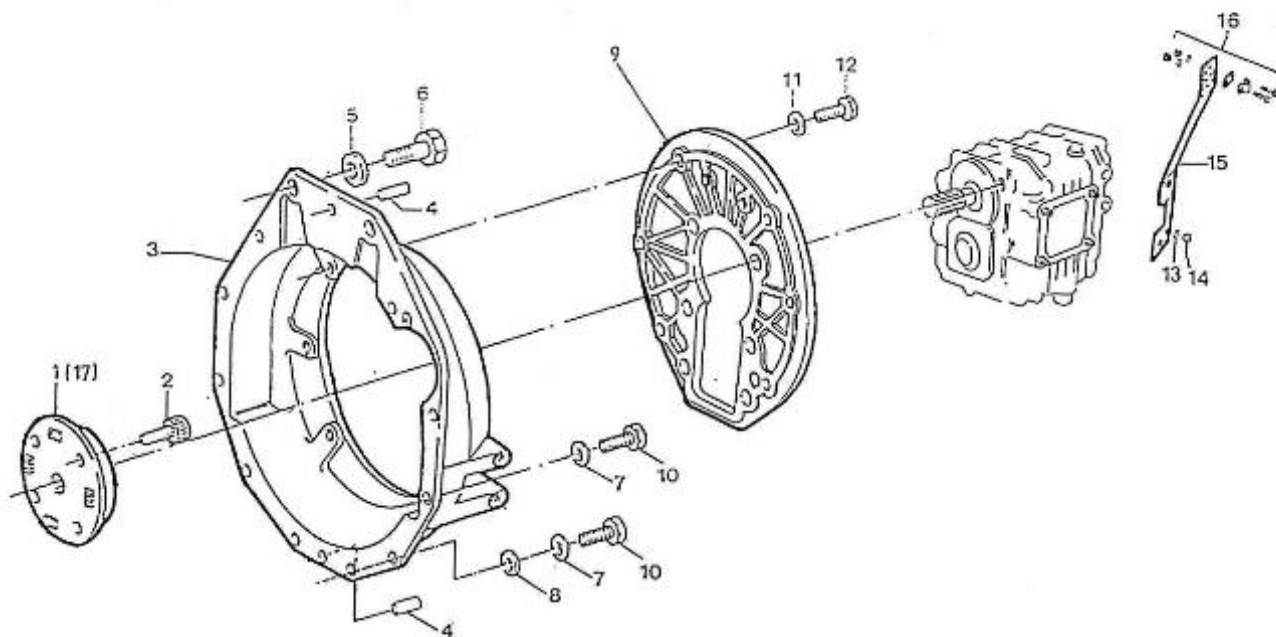
| Part number | Item | Désignation article | Quantity |
|-------------|------|---------------------|----------|
| 970307362 | 1 | SOLENOID,STOP | 1 |
| 970490919 | 2 | BOLT,M 8X 16 | 2 |
| 970301933 | 3 | WASHER,PLAIN D 8 | 2 |
| 970307363 | 4 | LEVER,STOP(1) | 1 |
| 970307364 | 5 | LEVER,STOP(2) | 1 |
| 970141326 | 6 | WASHER, PLAIN D6 | 3 |
| 970307365 | 7 | PIN,SNAP | 3 |

5.250TDI STANDARD ENGINE / ELECTRICAL EQUIPMENTS



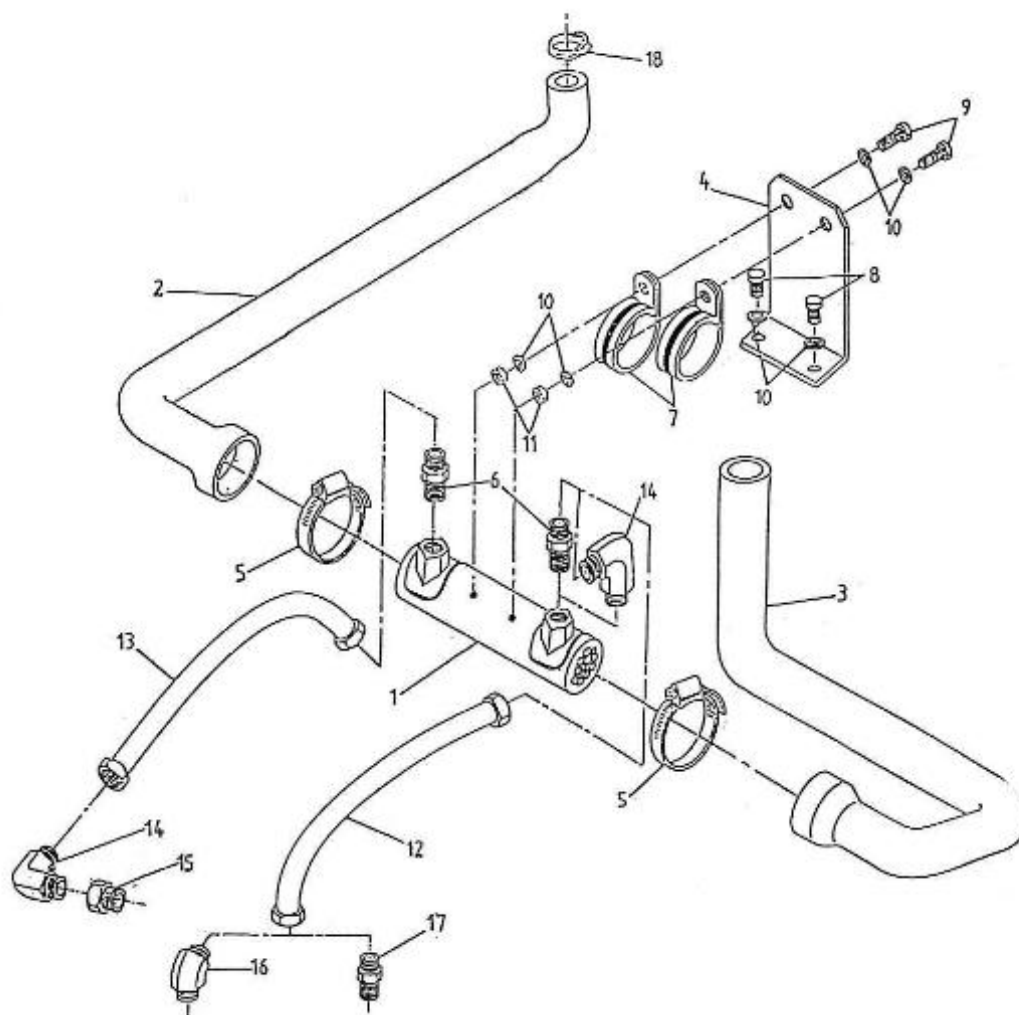
| Part number | Item | Désignation article | Quantity |
|-------------|------|------------------------------|----------|
| 970302070 | 1 | STARTER,MOTOR 12V 0,8KW | 1 |
| 970302661E | 2 | WIRING | 1 |
| 970307522 | 3 | ALTERNATOR,14V-60A | 1 |
| 970307393 | 4 | GLOW PLUG | 1 |
| 970304054 | 5 | TEMPERATURE SWITCH 1/8 1P 97 | 1 |
| 970851602 | 6 | WATER TEMPERATURE SENDER | 1 |
| 970851602 | 7 | WATER TEMPERATURE SENDER | 1 |
| 970307362 | 8 | SOLENOID,STOP | 1 |
| 970307362 | 9 | SOLENOID,STOP | 1 |
| 970851700 | 10 | SWITCH,OIL | 1 |
| 970493207 | 11 | ELBOW,1/8X10X1,5MF | 1 |
| 48201143 | 12 | OIL PRESSURE SENDER | 1 |

5.250TDI STANDARD ENGINE / GEAR BOX FLANGE



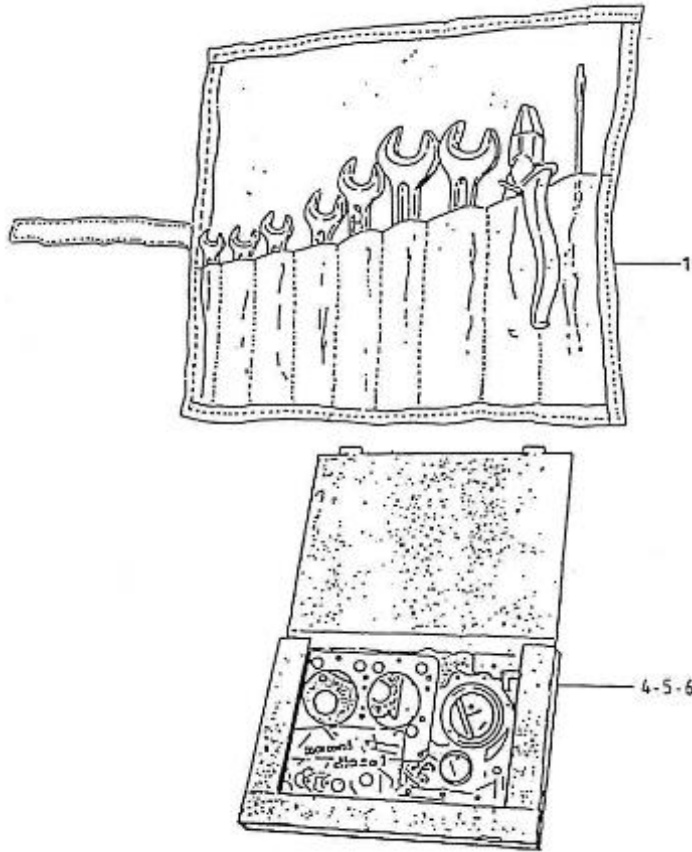
| Part number | Item | Désignation article | Quantity |
|-------------|------|---------------------------|----------|
| 970310255 | 1 | TM 345A COUPLING | 1 |
| 970119141 | 2 | BOLT,HEX M8X 20 | 6 |
| 970301628H | 3 | CARTER VOLANT 4.220-5.280 | 0 |
| 970302149 | 4 | PIN,CYLINDRICAL D10X 20 | 2 |
| 970647606 | 5 | WASHER,CORRUGATED D12 | 2 |
| 970301736 | 6 | BOLT,HEX M12X1,25X 30 | 2 |
| 970119139 | 7 | WASHER,CORRUGATED D8 | 16 |
| 970027323 | 8 | WASHER,PLAIN D 8 | 2 |
| 970302342 | 9 | PLATE,ADAPTOR -HBW250- | 1 |
| 970119141 | 10 | BOLT,HEX M8X 20 | 16 |
| 970119137 | 11 | WASHER,CORRUGATED D10 | 6 |
| 970635508 | 12 | BOLT,HEX M10X 25 | 6 |
| 970119139 | 13 | WASHER,CORRUGATED D8 | 2 |
| 970027322 | 14 | NUT,M 8 | 2 |
| 970300373 | 15 | SUPPORT,CONTROL HBW | 1 |
| 970835020 | 16 | CLAMP | 1 |
| 970310215 | 17 | COUPLING | 1 |

5.250TDI STANDARD ENGINE / GEAR BOX



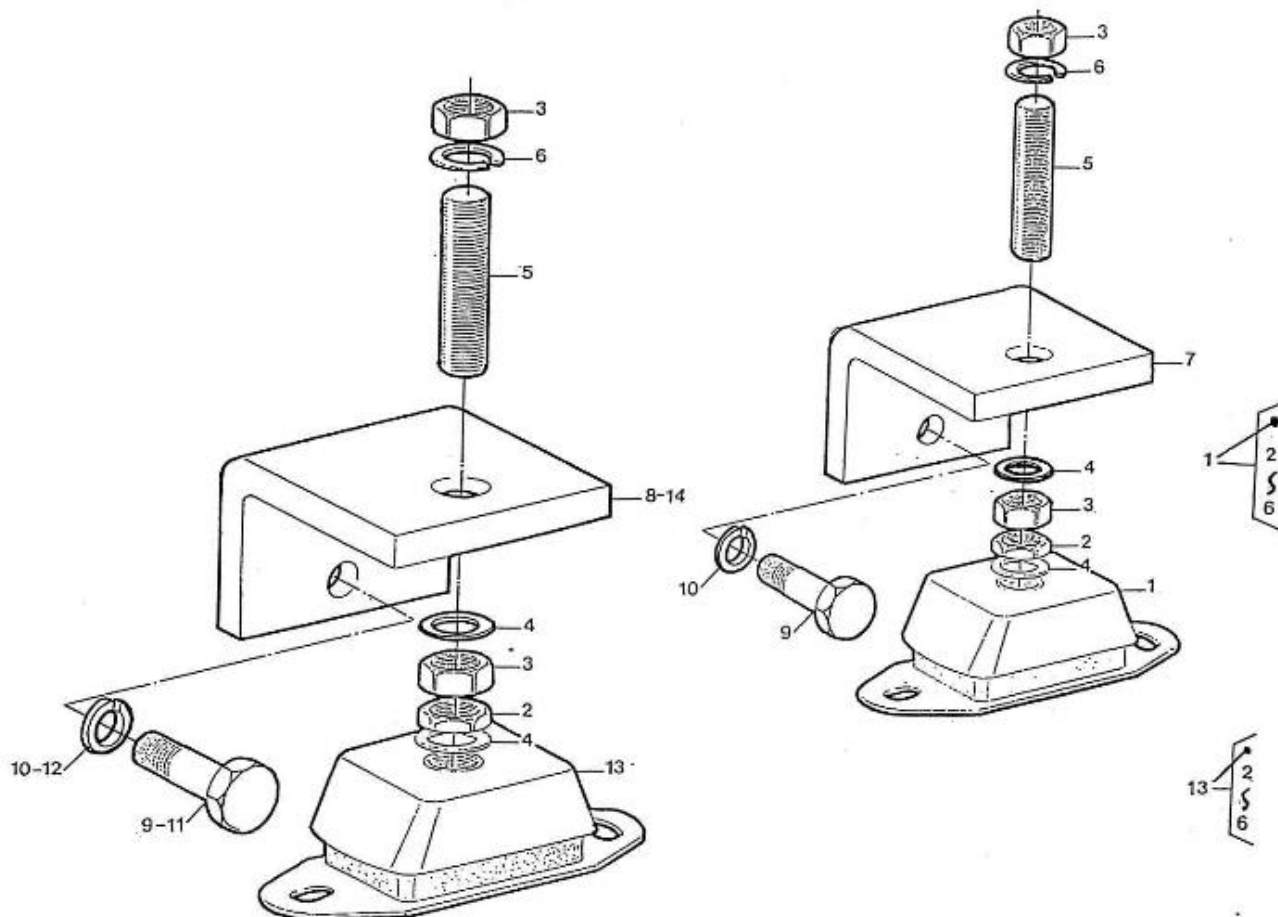
| Part number | Item | Désignation article | Quantity |
|-------------|------|---------------------|----------|
| 970310247 | 1 | OIL COOLER | 1 |
| 48328060 | 2 | HOSE | 1 |
| 48328059 | 3 | HOSE | 1 |
| 95310335 | 4 | BRACKET | 1 |
| 95310311 | 4 | BRACKET | 1 |
| 970634621 | 5 | CLAMP,HOSE | 2 |
| 48300308 | 6 | ELBOW | 2 |
| 48100189 | 7 | CLAMP | 2 |
| 970119141 | 8 | BOLT,HEX M8X 20 | 2 |
| 970119141 | 9 | BOLT,HEX M8X 20 | 2 |
| 970027323 | 10 | WASHER,PLAIN D 8 | 6 |
| 970024015 | 11 | NUT,M 8 A2 | 2 |
| 51819003 | 12 | HOSE | 1 |
| 51819003 | 13 | HOSE | 1 |
| 48300035 | 14 | ELBOW 92 | 3 |
| 43360089 | 15 | Spacer, M-F 3/8G | 1 |
| 48300031 | 16 | ELBOW 45 | 1 |
| 48300084 | 17 | ELBOW | 2 |
| 970604526 | 18 | CLAMP,HOSE 22-32 | 1 |

5.250TDI STANDARD ENGINE / TOOLS - GASKETS KIT



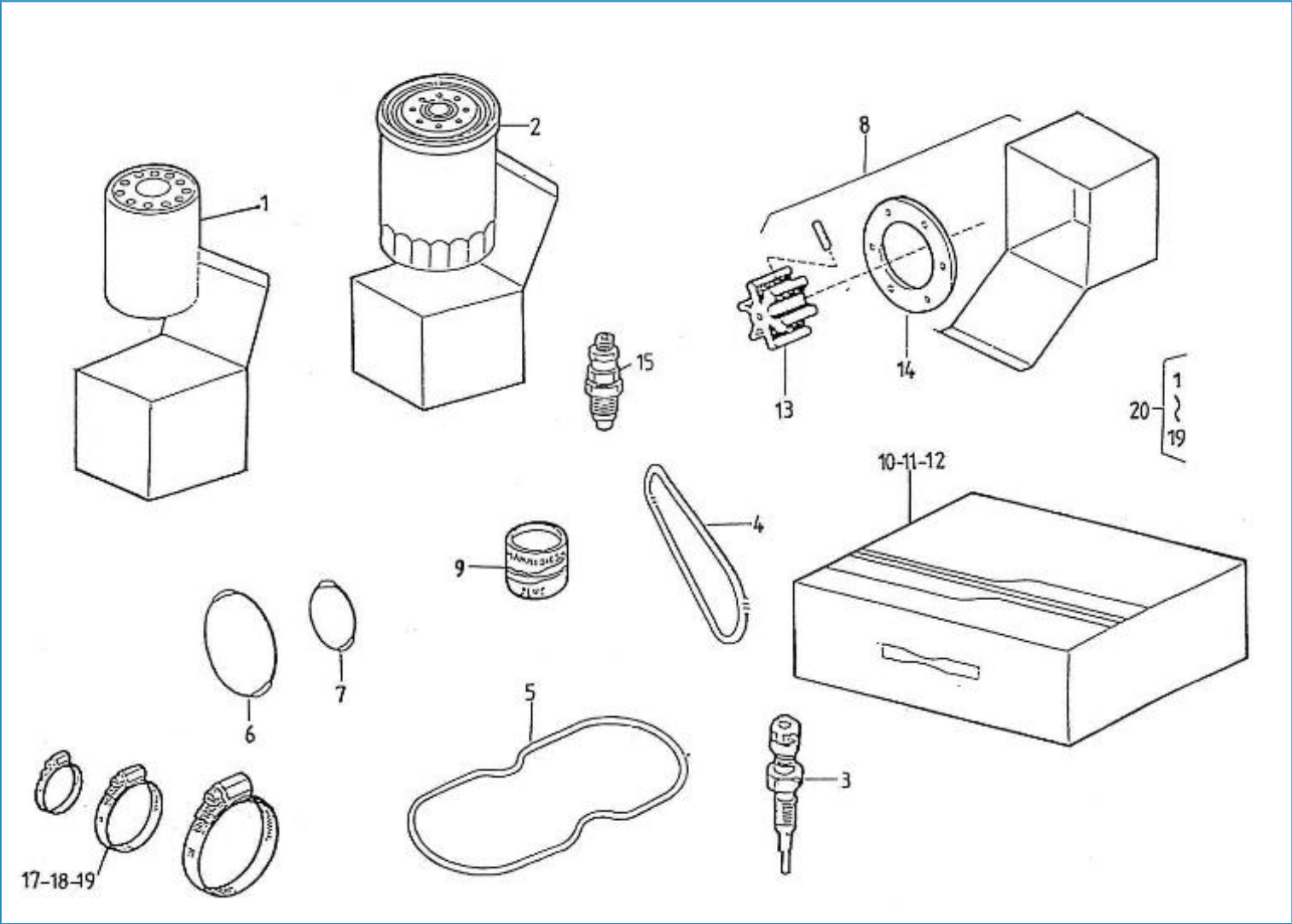
| Part number | Item | Désignation article | Quantity |
|-------------|------|---------------------|----------|
| 970609901 | 1 | KIT,TOOLS | 1 |
| 970310563 | 4 | GASKET SET | 1 |
| 970310564 | 5 | GASKET SET | 1 |
| 970310565 | 6 | GASKET SET | 1 |

5.250TDI STANDARD ENGINE / SUPPORT AND MOUNTING



| Part number | Item | Désignation article | Quantity |
|-------------|------|------------------------------|----------|
| 48190025 | 1 | RUBBER MOUNT MEDIUM 55SH M16 | 2 |
| 970639203 | 2 | NUT,M16 LOW | 4 |
| 970896520 | 3 | NUT | 8 |
| 970649108 | 4 | WASHER,PLAIN D16 | 8 |
| 970609116 | 5 | STUD,M16X100 | 4 |
| 970649109 | 6 | WASHER,SPRING D16 | 4 |
| 95310314 | 7 | ENGINE MOUNT | 2 |
| 95310307 | 8 | ENGINE MOUNT | 1 |
| 970499051 | 9 | BOLT,HEX M10X1,25X 30 | 6 |
| 970119136 | 10 | WASHER,SPRING D10 | 6 |
| 970301736 | 11 | BOLT,HEX M12X1,25X 30 | 2 |
| 970409154 | 12 | WASHER,SPRING D12 | 2 |
| 48190027 | 13 | RUBBER MOUNT MEDIUM 45SH M16 | 2 |

5.250TDI STANDARD ENGINE / MAINTENANCE KIT



| Part number | Item | Désignation article | Quantity |
|-------------|------|------------------------------|----------|
| 970310302 | 1 | FILTER | 1 |
| 970603003 | 2 | FILTER,ELEMENT OIL 4.180/90 | 1 |
| 970307393 | 3 | GLOW PLUG | 1 |
| 970310301 | 4 | V-BELT | 1 |
| 970307917 | 5 | GASKET,HEAD COVER | 1 |
| 970310554 | 6 | O-RING | 1 |
| 970301719 | 7 | O-RING,68,00X4,00 | 1 |
| 970301804 | 8 | REPAIR KIT | 1 |
| 970301521 | 9 | PAINT,NANNI BLUE 125CC | 1 |
| 970310008 | 10 | CASE | 1 |
| 970301347 | 11 | INSERT,CASE | 1 |
| 970301348 | 12 | INSERT,CASE BOTTOM | 1 |
| 970544310 | 13 | IMPELLER,WATER PUMP F 7B-803 | 1 |
| 970614616 | 14 | GASKET,F7B | 1 |
| 970311163 | 15 | COUPLING | 1 |
| 970310467 | 16 | KIT,NOZZLE HOLDER | 1 |
| 970439306 | 17 | CLAMP | 1 |
| 970300922 | 18 | CLAMP,HOSE 26-38 | 1 |
| 970634621 | 19 | CLAMP,HOSE | 1 |
| 970310562 | 20 | MAINTENANCE KIT | 1 |